

explorē 12

User Guide

Guide d'utilisation

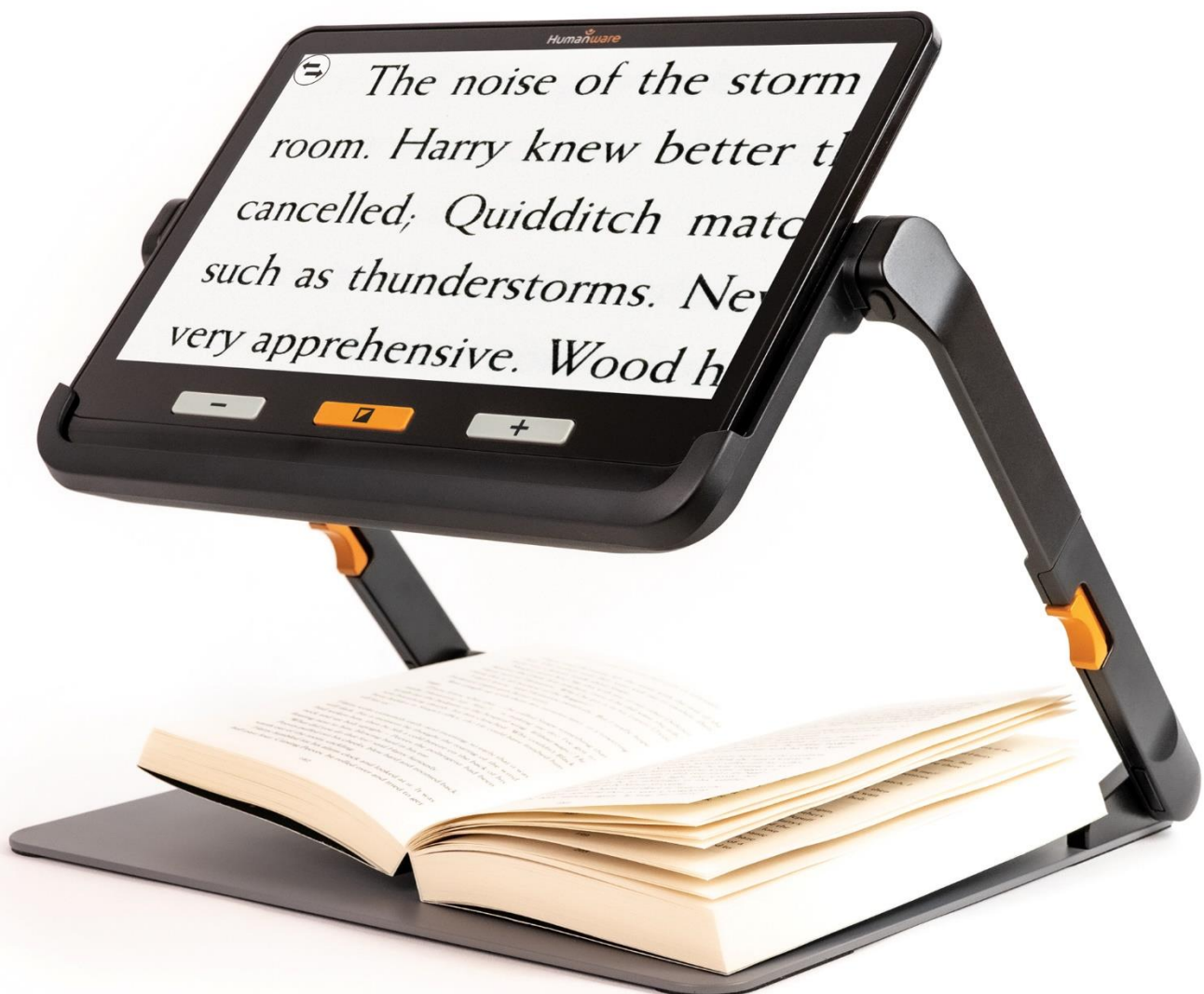


TABLE OF CONTENTS

Chapter 1 – Overview	5
Introduction	5
Box Contents.....	5
Physical Description.....	6
Getting Started	8
Chapter 2 – Using Your System	10
Powering On	10
Powering Off	10
Magnifier Mode	10
Zooming In and Out	11
Horizontal panning of a live image (folding stand only)	11
Switching Cameras	12
Changing Contrast	12
Turning off and on the lights	12
Lines and Blinds.....	13
Autofocus	13
Freezing an Image	14
Navigating on a Frozen Image.....	14
Gallery Mode.....	15
Accessing the Gallery	15
Deleting Images from Gallery	15
Using an External Screen	16
Chapter 3 – Exporting Images to Computer	16
Chapter 4 – Menu.....	17
Accessing the Menu and Changing Settings	17
Chapter 5 – Updating Your System.....	19
Chapter 6 – Recharging Your System.....	19
Chapter 7 – Troubleshooting	21
Appendix A – Safety and Maintenance	23
Appendix B – Specs	24
Appendix C – FCC Info.....	25
Appendix D – Warranty.....	26

CHAPTER 1 – OVERVIEW

INTRODUCTION

Thank you for purchasing the HumanWare explorē 12, the simple to use portable electronic handheld magnifier with a large, easy-to-read 12" screen. With your explorē 12, you'll be reading those fine print materials in a matter of seconds.

Being magnifier users ourselves, we at HumanWare know that in addition to the best available image quality, a good magnifier needs to be simple, portable, and comfortable to use and be ready to use immediately when and where you need it. Your explorē 12 was designed with just that in mind, for which we take considerable pride in offering you a quality product that will meet both your needs and expectations. Carefully read the operating and safety instructions described in this user guide before using your device. If you have any questions about your system, please contact HumanWare Customer Service by consulting the contact information in the back of this user guide.

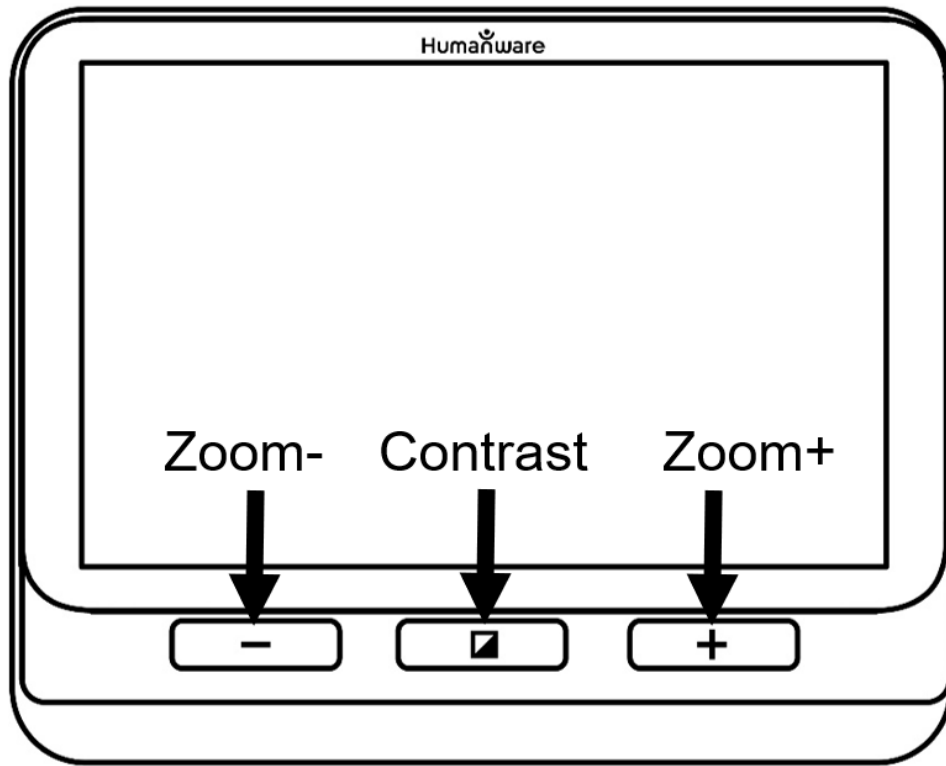
Copyright 2021 by Technologies HumanWare Inc., all rights reserved. No part of this publication may be reproduced or distributed in any form or by any means or stored in a database or retrieval system without the prior written permission of Technologies HumanWare Inc.

BOX CONTENTS

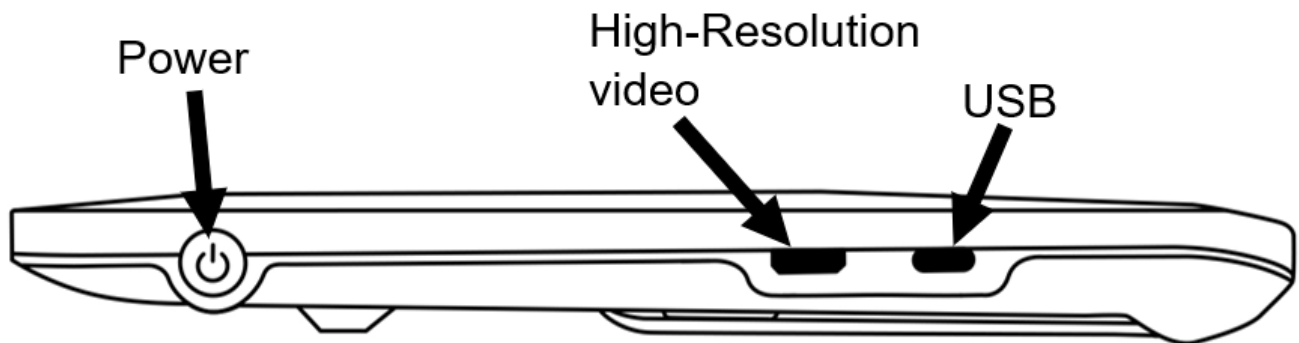
- explorē12 electronic magnifier
- USB charger/cable
- explorē12 reading stand (if purchased)
- High-Resolution video cable
- LCD Protector
- Microfiber cloth
- Protective case
- User Guide

PHYSICAL DESCRIPTION

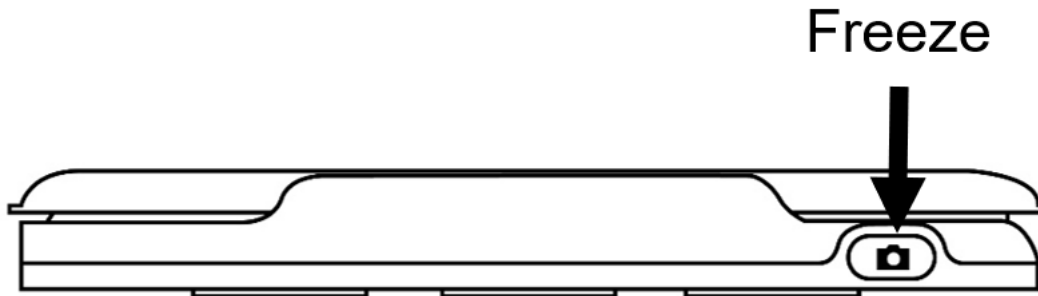
Front face



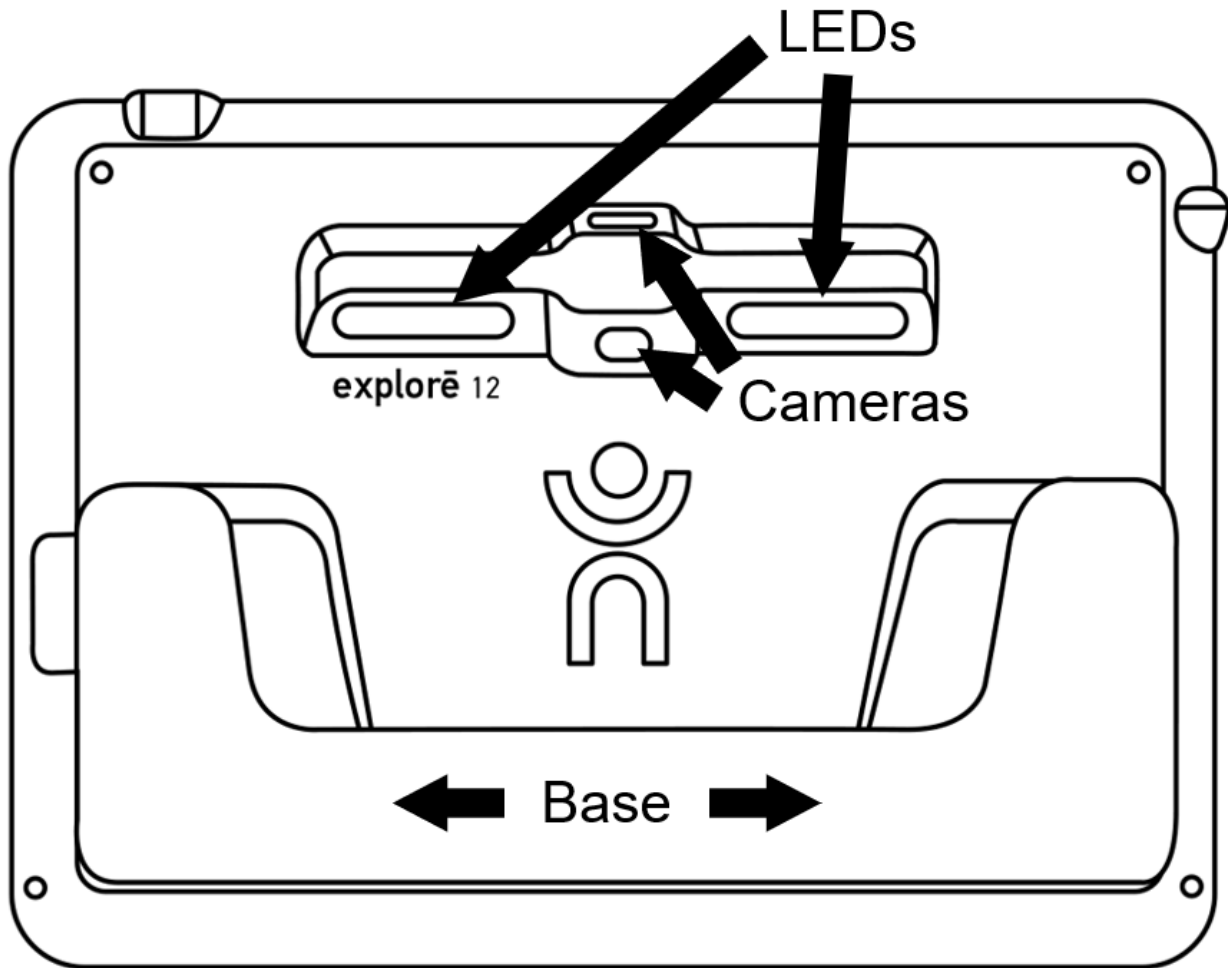
Left side



Top edge



Backside

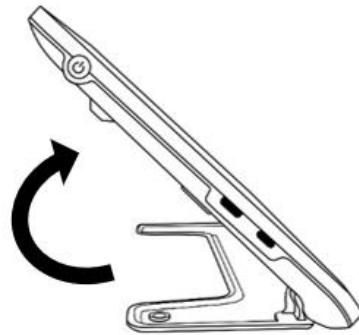


GETTING STARTED

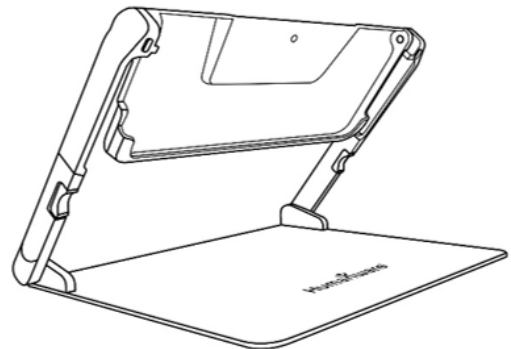
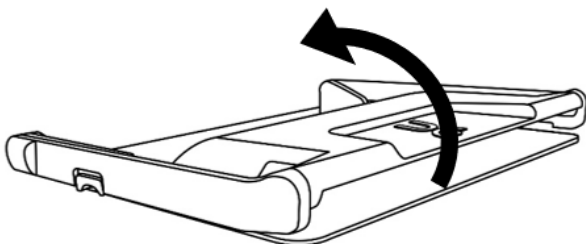
1. Connect the USB cable to the USB charger.
2. Hold explorē 12 so that the screen side is facing you. Then, carefully connect the cable to the USB port located on the left side of your device and plug the charger into an outlet.

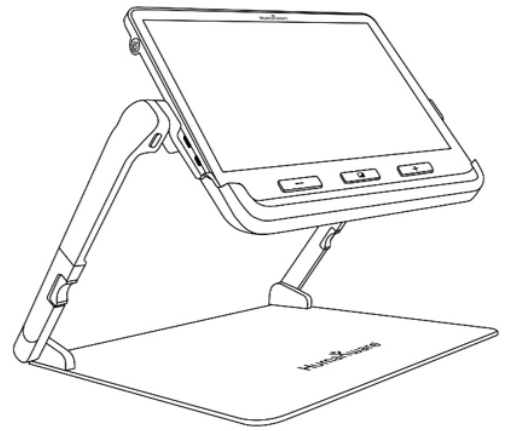
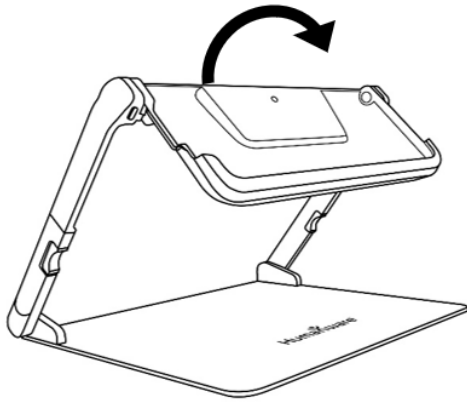
IMPORTANT: Use caution while inserting the cable into the USB port.

3. Let your device recharge until your battery is full. The device will become warmer during the charge – this is normal.
4. Once the device is fully charged, carefully disconnect the cable.
5. Press **Power** or unfold the reading base to start using the device.

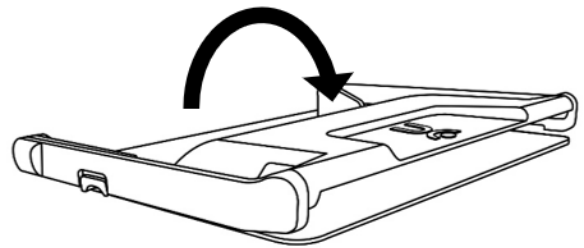
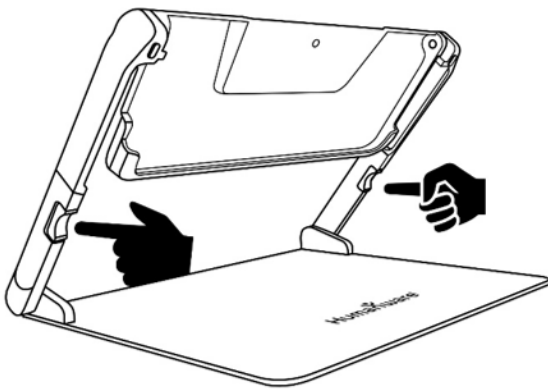


6. Alternatively, you can unfold the reading stand (if purchased) and dock the device on the tray to use it in "Stand Mode."





7. When you are done working in "Stand Mode," remove the device from the tray, then press the two orange buttons on each side of the stand to fold it back.

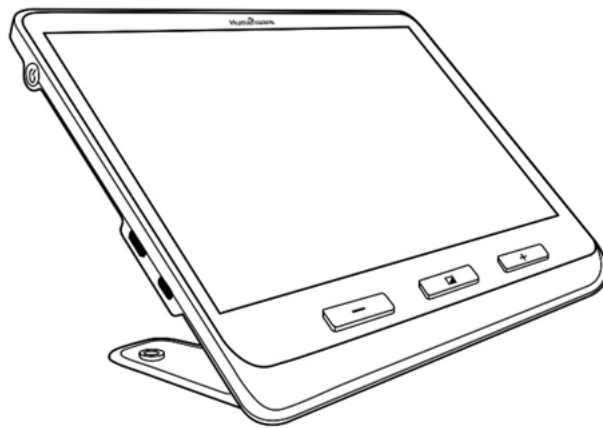


CHAPTER 2 – USING YOUR SYSTEM

POWERING ON

To start your magnifier, simply press **Power** on the left side of the device. The device can then be held by the sides, just like you would hold a tablet.

Alternatively, you can a) turn on your device by unfolding the base behind the device or b) opening the reading stand and inserting the device, then use the device with what you wish to read.



After a few seconds, the explorē 12 screen will turn on and display the image from the camera. This is the magnifier mode.

POWERING OFF

To turn off your device, simply press the **Power** button.

MAGNIFIER MODE

Magnifier mode is explorē 12's primary mode of operation. With the base closed, you will be able to magnify distant objects. With the base opened, you will be able to magnify close objects or documents on a table. With the device placed on the reading stand, you will be able to magnify close objects or documents under the device without physically moving them.

ZOOMING IN AND OUT

To zoom in, simply press or press and hold, **Zoom+** until the image is of the appropriate size. Similarly, you can zoom out by pressing, or pressing and holding, **Zoom-** until you are satisfied with the image size.

Alternatively, you can enable the **pinch and zoom** gesture (decrease and increase the distance between two fingers) from the menu to zoom in and out of a live image (see Ch. 4).

You can slide two fingers from top to bottom across the middle of the screen, and the image will zoom out to 1x, allowing you to reposition your material. The image will return to the previous zoom level once you release your fingers from the screen.

HORIZONTAL PANNING OF A LIVE IMAGE (FOLDING STAND ONLY)

While viewing a document or an object in magnifier mode using the foldable reading stand (optional purchase), you can pan left and right through the image by sliding your finger across the screen in the direction you wish to pan.

For zoom levels 4x and higher, you can also display, from the menu, left and right arrows at the bottom of the screen (see Ch. 4). Tapping those arrows will take you all the way to the left (or right) of the camera's viewable area.



Note that you must use the Near camera on the stand for the Horizontal panning feature to work.

SWITCHING CAMERAS

By default, the magnifier mode is set to the Near Camera view when the base or the stand is opened, and the device is in magnifier mode. However, it is possible to toggle to the Distance Camera by pressing the **Toggle Camera** button at the top right of the screen.

Alternatively, you can toggle the camera view by selecting **Toggle Camera** in the menu (see Ch. 4).

CHANGING CONTRAST

explorē 12 allows you to customize contrast to better suit your needs and preferences. Simply press **Contrast** to change contrast until you find one you are comfortable with.

The available default contrast modes are listed below:

- Full color, black on white, white on black, black on yellow, yellow on black

Other contrast modes are also available from the menu (see Ch. 4):

- Black on orange, orange on black, black on cyan, cyan on black, black on purple, purple on black, black on green, green on black, blue on yellow, yellow on blue, white on blue, blue on white

TURNING OFF AND ON THE LIGHTS

Press and hold **Zoom+** and **Zoom-** simultaneously to turn lights off and back on when necessary. Note that the Near camera must be selected to turn on the lights.

LINES AND BLINDS

With the explorē 12, you can add a horizontal line or blinds over your image for easier reading.

To add or remove a line, press and hold **Contrast** and **Zoom+** simultaneously.

To add or remove blinds, press and hold **Contrast** and **Zoom-** simultaneously.

AUTOFOCUS

explorē 12 features an autofocus that can be set to **locked**, **unlocked**, or **manual** from the menu (see Ch. 4).

To temporarily lock the autofocus, double tap on the screen while magnifying an image. A padlock icon will appear at the top right corner of the screen. Double-tap again to unlock the autofocus.



Note that changing the zoom level of the image also unlocks the temporary autofocus lock.

When autofocus is set to **unlocked** (by default), explorē 12 will dynamically adjust its focus to the object currently being viewed. The focus can be forced by touching anywhere on the screen.

When autofocus is set to **locked**, or when the magnifier is used in base mode, explorē 12 will maintain its current focus regardless of any movements or changes.

When autofocus is set to **manual**, you can touch any position on the screen to have explorē 12 focus on that specific location. Note that the **manual** setting only works in distance viewing mode and stand mode. Base mode will continue to be locked when **manual** mode is selected.

FREEZING AN IMAGE

explorē 12 enables you to freeze an image while in magnifier mode for easier reading, a handy feature when reading product labels on stores' top shelves. To freeze an image, press the **Freeze** button while aligning your magnifier towards what you wish to read. This will take a snapshot of what your device was oriented towards. The snapshot will be displayed on your screen until you decide to return to Magnifier mode.

To return to magnifier mode, simply press **Freeze** once again.

NAVIGATING ON A FROZEN IMAGE

To zoom in on still images, simply press or press and hold **Zoom+** until the image is of the appropriate size. Similarly, you can zoom out by pressing or pressing and holding **Zoom-** until you are satisfied with the image size.

Alternatively, you can enable the **pinch and zoom** gesture (decrease and increase the distance between two fingers) from the menu to zoom in and out of a frozen image (see Ch. 4).

Hold your finger down and slide it across the screen to see other parts of a frozen image.

As with a live image, you can press **Contrast** to change contrast until you find one that is comfortable.

GALLERY MODE

To save a live or frozen image to your Gallery, press and hold **Freeze** for a half-second while in Magnifier mode. You should see a Save message displayed briefly on your screen, meaning your image is now saved inside explorē 12's Gallery.

Alternatively, you can enable the **tap and hold** gesture (keep your finger down on the screen) from the menu to save an image in the Gallery (see Ch. 4).

ACCESSING THE GALLERY

To access your images in the Gallery, press **Contrast** and **Freeze** simultaneously. Then, swipe your finger left or right on the screen to select an image. You can also press the arrows on the screen to choose an image.

You can zoom in and out of saved images by pressing or pressing and holding **Zoom+** and **Zoom-**. Alternatively, you can enable the **pinch and zoom** gesture (decrease and increase the distance between two fingers) from the menu to zoom in and out of a saved image (see Ch. 4).

To exit the Gallery and return to Magnifier mode, press **Back** (on-screen) or press and hold **Contrast**.

DELETING IMAGES FROM GALLERY

To delete an image from the Gallery, access the Gallery and navigate to the image you wish to delete (by swiping your finger left or right on the screen or using the arrow buttons), then press and hold **Freeze**.

Alternatively, you can enable the **tap and hold** gesture (keep your finger down on the screen) from the menu to delete an image (see Ch. 4).

You will have the option to Delete or Cancel. Press Delete to confirm the deletion. To cancel deletion, press Cancel or **Contrast**.

You can delete all your images at once from the menu (see Ch. 4). Press and hold **Contrast** and select the item **Delete Gallery** that will appear on the screen.

USING AN EXTERNAL SCREEN

For a larger image, you may want explorē 12's content to be displayed on an external screen (like a TV). To do so, connect your explorē 12 to an external screen using the included High-Resolution video cable. Please refer to Appendix B for a list of supported High-Resolution video formats.

CHAPTER 3 – EXPORTING IMAGES TO COMPUTER

To export Gallery images saved on explorē 12 to your computer, connect your device with the USB cable provided. You should see a "PC connected" message appear on your device. You can now copy and paste the images from your Gallery to your computer using your computer's file browser.

When connected to a personal computer, the device will act exactly like a USB thumb drive or an external drive. Gallery images are in the Images folder on your explorē 12.

When copying or deleting images from the device, never disconnect the USB cable as some images could be lost in the process.

CHAPTER 4 – MENU

ACCESSING THE MENU AND CHANGING SETTINGS

Press and hold **Contrast** to enter the menu. You can navigate the menu by swiping up or down with your finger on the screen, pressing the up/down arrows, or pressing **Zoom+** to scroll up and **Zoom-** to scroll down.

To select an item, press on it. To go back to the previous menu, press **Contrast** or **Back**. Press **Contrast** again to return to Magnifier mode. To quickly exit the menu, press and hold **Contrast** or **Back**.

The menu contains the following items:

- **Gallery** (Access Gallery images)
- **Toggle camera:** Distant Camera*, Near Camera (Near Camera* in base or stand mode)
- **Autofocus:** Unlocked*, Locked (Locked* in base mode), Manual (Locked in base mode)
- **Screen Brightness** (Change the screen's brightness level): 1 to 9 (8*)
- **Touchscreen** (submenu, tap to enable gestures and vibrations)
 - **Pinch & zoom** (decrease/increase distance between two fingers to zoom out/in)
 - **Vibrations**
 - **Tap & hold** (hold a finger down in Magnifier to save an image to Gallery)
 - **Pan buttons** (for zoom 4x or higher on folding stand only; displays left and right arrows at the bottom of the screen to go

to the far left or right of the camera's viewable area while magnifying a live image)

- **Auto-off** (Choose how long the device stays on): 1 minute, 2 minutes, 5 minutes*, 10 minutes
- **Preferred Zoom** (Change the default zoom level when you open your device): Previous (the zoom level you were at when you closed your device), 2x* to 30x; 2x* to 15x (in Stand mode with Near camera)
- **Contrast** (submenu)
 - **Preferred Contrast** (select contrast in which your explorē 12 starts up): Previous* (last used contrast), Color, or choice of enabled contrasts
 - **Menu** (change menu colors): Black on white*, White on black, Black on yellow, Yellow on black, Black on orange, Orange on black, Black on cyan, Cyan on black, Black on purple, Purple on black, Black on green, Green on black, Blue on yellow, Yellow on blue, White on blue, Blue on white
 - **Enabled contrasts** (select enabled color pairs for magnifier mode): Black on white*, White on black, Black on yellow, Yellow on black, Black on orange, Orange on black, Black on cyan, Cyan on black, Black on purple, Purple on black, Black on green, Green on black, Blue on yellow, Yellow on blue, White on blue, Blue on white
- **Lines and blinds:** Line, Blinds, None*
- **Lights:** On*, Low, Off
- **Menu Text Size:** Small, Medium*, Large

- **Language:** English US*, English UK, French (CA), French (FR), Spanish (US), Spanish (ES), German, Dutch, Danish, Polish, Portuguese (PT), Portuguese (BR), Norwegian, Italian, Swedish, Finnish, Russian, Czech, Japanese, Korean, Icelandic, Estonian, Turkish, Lithuanian, Hungarian, Latvian, Arabic, Chinese (Simplified), Chinese (Traditional), Hebrew, Georgian, Farsi, Kurdish
- **Display:** 50Hz, 60Hz*
- **Delete Gallery:** Remove all images on your device.
- **Factory Defaults:** Clear all personal settings on the device to factory defaults.
- **About** (View information about your device): Set date and time, Software, Hardware, Serial Number.

CHAPTER 5 – UPDATING YOUR SYSTEM

First, go to: <http://support.humanware.com/en-canada/support/explore>

Then, download the latest version of the explorē 12 software. Next, connect your explorē 12 to your computer using the provided USB cable. Using your computer's file explorer, copy and paste or drag and drop your downloaded file directly into your explorē 12 root directory. When the transfer is completed, unplug your USB cable from your computer. Restart your explorē 12. Your device should automatically update itself.

CHAPTER 6 – RECHARGING YOUR SYSTEM

IMPORTANT: The battery becomes warm during recharging. This is normal. Do not recharge the battery near a heat source.

To recharge the battery using a household power outlet:

- Connect the USB cable to explorē 12's USB charger. Then, carefully connect the USB cable to your device and plug the charger into an outlet.
- Let your device charge until your battery is full. It should take approximately 3.5 hours to recharge an empty device.

The image below will show momentarily when the battery starts charging or when the device is turned on during the recharge process.



The lightning bolt icon means your device is being charged. The number to the right represents the percentage of battery charge remaining.

Due to lower voltage, charging from the computer USB may be slower. In some cases, your device may not charge at all, depending on the amount of power supplied by the computer. The most effective way to recharge the device is to use the provided USB cable connected to the USB charger and recharging from a household power outlet.

Although it may lengthen the charging time, the device can be used when it is recharging.

Please note that if the battery is fully discharged or hasn't been used for a very long period, there will be a delay of up to a few minutes before the device shows any activity. This is normal.

Also, note that your explorē 12 will become warm when in use or when being charged like all electronic devices – this is normal.

Battery safety precautions:

- Do not disassemble or modify the battery.

- Use only the specified HumanWare charger.

There is a risk of overheating, fire, or explosion if the battery is put in a fire, heated, subjected to impact, put in contact with water, or if its terminals are shorted.

CHAPTER 7 – TROUBLESHOOTING

explorē 12 does not power on:

Press and hold **Power**. If the unit still does not turn on, your device's battery may need recharging.

Connect the provided USB cable with the USB charger into a power outlet or just the USB cable into a running computer. If the battery was completely discharged, it might take a few minutes before the device shows any signs of activity (see Ch. 6 for more info).

Screen is black:

The image may be black if the unit is lying on a table or any flat surface. Lift your magnifier to see whether this is the reason why your screen is black.

If this does not solve the problem, try restarting your device.

Image is out of focus in magnifier:

Make sure Autofocus is set to Unlocked in the menu. Next, move the device back and forth over the document you are viewing. This will make explorē 12 re-focus on the document.

explorē 12 shuts down after inactivity:

This is a normal behavior intended to preserve the battery. By default, explorē 12 will shut down after 5 minutes of inactivity. However, it is

possible to configure the default auto-off timer to 1 minute, 2 minutes, 5 minutes, or 10 minutes.

Colors are difficult to detect:

First, make sure there is sufficient ambient light around you.

Choose a different color combination by pressing **Contrast** while in magnifier mode.

There is a lot of glare:

Tilt the object you are looking at in a different direction to reduce glare. You can also try turning off the lights by pressing and holding **Zoom+** and **Zoom-** simultaneously.

explorē 12 does not respond:

Make sure explorē 12 is not connected to power via USB cable; if it is, unplug it and then press **Power** for 10 seconds. The system will shut down. Then, press **Power** for one second to turn explorē 12 back on.

Other problems:

Restore to factory defaults in the menu.

Press and hold **Contrast**. Scroll down to Factory Defaults and select Yes.

APPENDIX A – SAFETY AND MAINTENANCE

You must not stare at the LED light source located on the backside of the magnifier.

Keep away from water or high humidity. Do not submerge.

Power off your explorē 12 before cleaning it.

Use only cables provided with your explorē 12.

Battery:

The explorē 12 has an internal rechargeable Li-Ion battery. A qualified HumanWare technician must replace the battery.

- Do not use or leave the unit near a heat source or fire. Do not store in high temperatures.
- Only use USB-compliant power supplies to charge the battery.
- Do not disassemble or modify the unit.
- Do not immerse the unit in water, do not allow it to get wet.
- Do not strike or throw the unit.
- Do not pierce or strike the unit with sharp objects or a hammer.
- If the battery leaks and its liquid gets into the eyes, do not rub the eyes. Instead, rinse the eyes with clean running water and seek immediate medical attention to prevent injury.
- If the battery leaks and its liquid comes into contact with skin, immediately rinse the area with clean running water to prevent injury.

Cleaning the LCD screen:

Make sure your device is off and unplugged.

Make sure you only use microfiber cloths to clean the LCD screen like the one included with your device.

Carefully and gently wipe the microfiber cloth across the LCD screen.

If you choose to clean your LCD screen with a liquid cleaner, make sure this cleaner is appropriate for LCD screens. Distilled water, isopropyl alcohol, and vinegar-water solutions (no more than 10% vinegar) are safe cleaning liquids for your LCD screen.

Use only a minimal amount of liquid to prevent it from getting inside the device. If liquid seeps in, damage to the device might occur. Make sure no liquids remain on your screen. Repeat the previous steps for spots that are harder to remove.

Never use household cleaners to clean your explorē 12.

Never spray any liquid directly on your LCD screen.

Never use cleaning products that contain ethyl alcohol, ethyl acid, ammonia, acetone, or methyl chloride.

Never use a paper towel to clean your LCD screen.

APPENDIX B – SPECS

Tablet size: 282.5 x 202 x 24 mm

Stand size: 345 x 270 x 35.5 mm

Display: 12" ISP LCD

Weight: 1134 g

Weight with stand: 2268 g

Power Input: USB Type C connector. 5V@3A, 9V@2A or 12V@1.5A

Battery life: 3.5 hours base mode and/or distance mode and 2 hours in stand mode with LEDs on

Charge Time: 4 hours (when the device is off)

Supported High-Resolution video formats:

1080p 60Hz, 1080p 50Hz, 720p 60Hz, 720p 50Hz

No support of DVI emulation

Operating conditions:

Temperature: 10 °C to 40 °C / 50 °F to 104 °F

Humidity: 20% to 80%

Transport and storage conditions:

Temperature: -20 °C to 60 °C / -4 °F to 140 °F

Humidity: 10% to 95%

APPENDIX C – FCC INFO

FCC Statement:

This device complies with part 15 of the FCC Rules. Operation is subject to the following two conditions: (1) This device may not cause harmful interference, and (2) this device must accept any interference received, including interference that may cause undesired operation.

FCC Warning:

Changes or modifications not expressly approved by the party responsible for compliance could void the user's authority to operate the equipment.

Note: This equipment has been tested and found to comply with the limits for a Class B digital device, pursuant to part 15 of the FCC Rules. These limits are designed to provide reasonable protection against harmful interference in a residential installation. This equipment generates, uses, and can radiate radio frequency energy and, if not installed and used in accordance with the instructions, may cause harmful interference to radio communications. However, there is no guarantee that interference will not occur in a particular installation. If this equipment does cause harmful interference to radio or television

reception, which can be determined by turning the equipment off and on, the user is encouraged to try to correct the interference by one or more of the following measures:

- Reorient or relocate the receiving antenna.
- Increase the separation between the equipment and receiver.
- Connect the equipment into an outlet on a circuit different from that to which the receiver is connected.
- Consult the dealer or an experienced radio/TV technician for help.

Note: This unit was tested with shielded cables on the peripheral devices. Shielded cables must be used with the unit to ensure compliance.

APPENDIX D – WARRANTY

HumanWare warrants explorē 12, effective from the date of purchase, to be free of any defects in material and workmanship for a period of 2 years unless otherwise required by law in the country or region of purchase.

This warranty is non-transferable and applies to all cases where the damage is not a result of improper use, mistreatment, or negligence. Improper use is use of this device other than described in this manual. In no event shall HumanWare or its distributors be liable for indirect or consequential damages.

No replacement or repair covered by the warranty will be carried out unless the system is accompanied by a copy of the original bill of purchase. Please keep your original receipt. If the system has to be returned, please use the original packaging.

FRANÇAIS

TABLE DES MATIÈRES

Chapitre 1 – Aperçu.....	31
Introduction	31
Contenu de la boîte.....	32
Description physique.....	32
Démarrage	34
Chapitre 2 – Utiliser votre exploré 12	36
Mise en marche.....	36
Éteindre l'appareil	36
Mode Loupe	36
Zoom avant et arrière.....	37
Faire défiler horizontalement une image en mode loupe (support de lecture seulement).....	37
Alterner entre les caméras	38
Changer le contraste.....	38
Éteindre et allumer les lumières.....	39
Lignes et bandes.....	39
Autofocus	39
Capturer une image	40
Naviguer sur une image capturée	41
Mode Galerie.....	41
Accéder à la Galerie.....	41
Supprimer des images	42
Utiliser un écran externe	42
Chapitre 3 – Exporter des images vers un ordinateur	43
Chapitre 4 – Menu	43
Accéder au menu et modifier les réglages.....	43
Chapitre 5 – Mettre à jour votre système	46
Chapitre 6 – Recharger votre système	46
Chapitre 7 – Dépannage	48
Annexe A – Consignes de sécurité	50
Annexe B – Spécifications	51
Annexe C – Renseignements FCC	52
Annexe D – Garantie	54

CHAPITRE 1 – APERÇU

INTRODUCTION

Merci d'avoir choisi explorē 12 de HumanWare, la loupe électronique simple à utiliser, portable, avec un large écran de 12 pouces bien visible. Avec votre explorē 12, les caractères trop petits seront bientôt choses du passé!

En étant nous-mêmes des utilisateurs et spécialistes de loupes électroniques, nous savons chez HumanWare qu'en plus d'avoir la meilleure qualité d'image qui soit, une bonne loupe doit être simple, portable, et doit toujours être prête à fonctionner où vous en avez besoin, quand vous en avez besoin.

C'est dans cet esprit que votre explorē 12 a été créé, car nous aspirons sans cesse à vous offrir un produit de qualité qui répondra tant à vos attentes qu'à vos besoins.

Avant d'utiliser votre appareil, assurez-vous de lire attentivement les instructions de fonctionnement et de sécurité incluses dans ce guide d'utilisation. Si vous avez des questions concernant votre explorē 12, veuillez communiquer avec le service à la clientèle de HumanWare en vous référant aux coordonnées inscrites à l'arrière de ce guide.

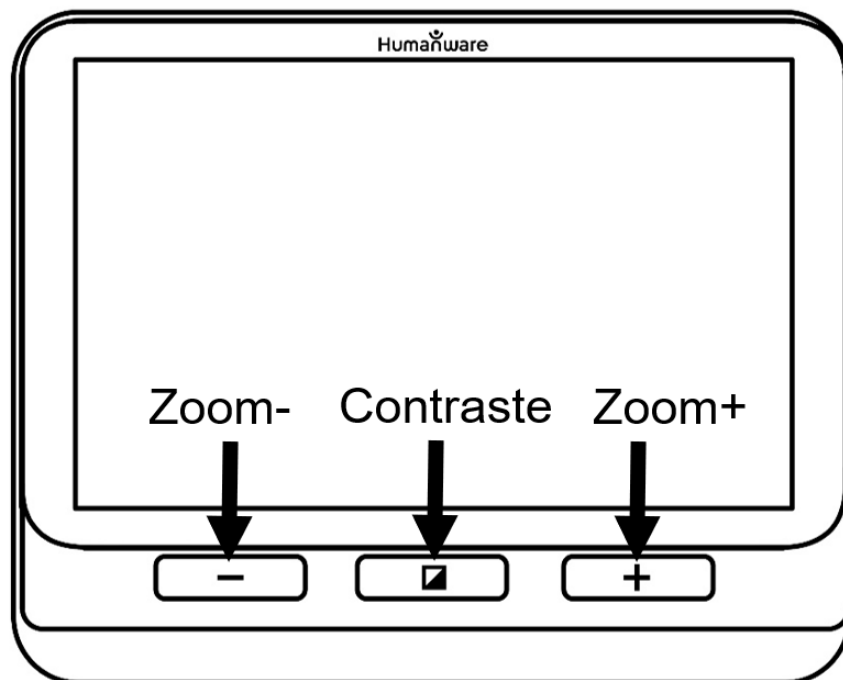
Droits d'auteur 2021 : Technologies HumanWare Inc., tous droits réservés. Aucune partie de ce document ne peut être reproduite ou distribuée sous n'importe quelle forme et par quelque procédé que ce soit, gardée dans une base de données ou un système de recherche, sans l'accord préalable par écrit de Technologies HumanWare Inc.

CONTENU DE LA BOÎTE

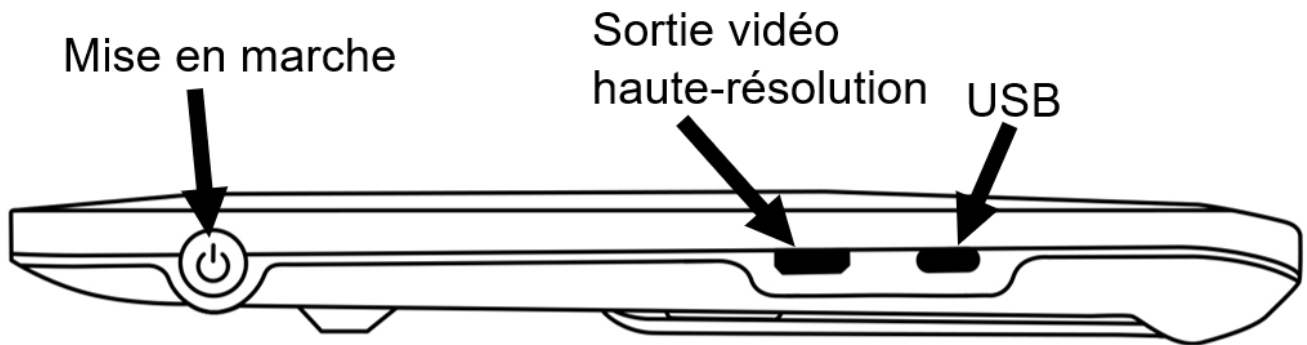
- Loupe électronique explorē 12
- Chargeur/Câble USB
- Support de lecture explorē 12 (si acheté)
- Chargeur/Câble USB
- Câble vidéo haute résolution
- Protecteur d'écran
- Linge de microfibre
- Étui de protection

DESCRIPTION PHYSIQUE

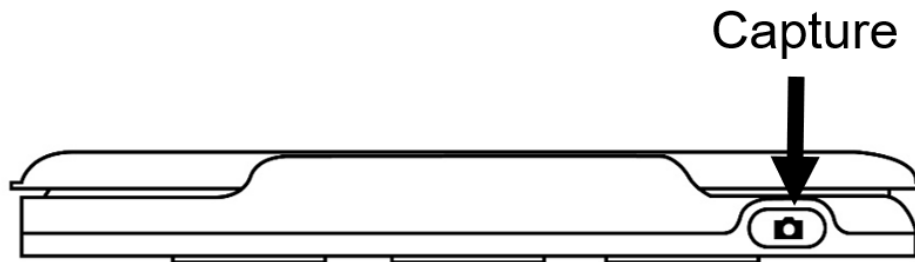
Vue de face



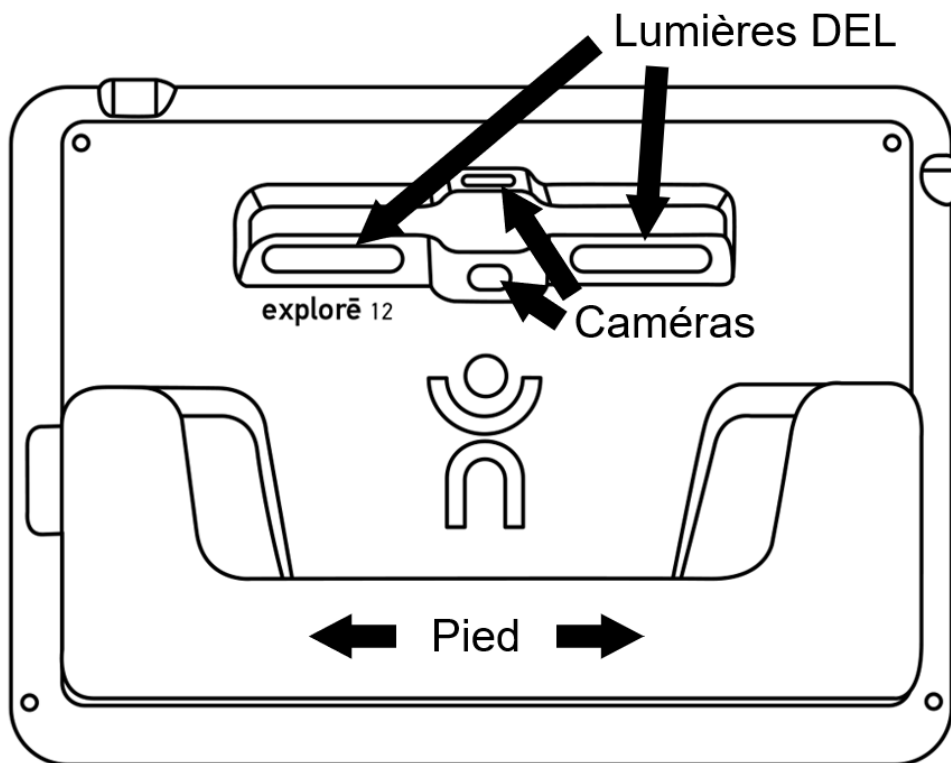
Côté gauche



Bord supérieur



Vue arrière

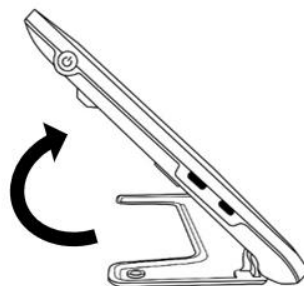


DÉMARRAGE

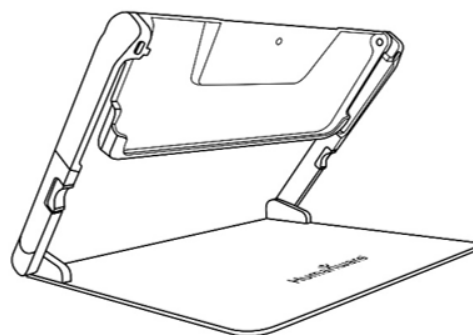
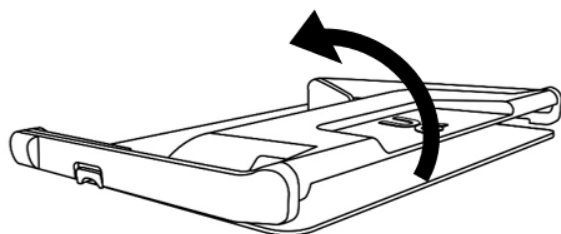
1. Branchez le câble USB au chargeur USB.
2. Tenez votre exploré 12 entre vos mains en vous assurant que l'écran soit face à vous. Branchez délicatement le câble au port USB situé sur le côté gauche de votre appareil et branchez le chargeur à la prise de courant.

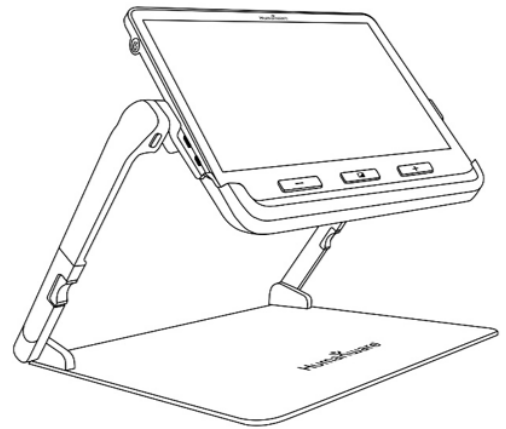
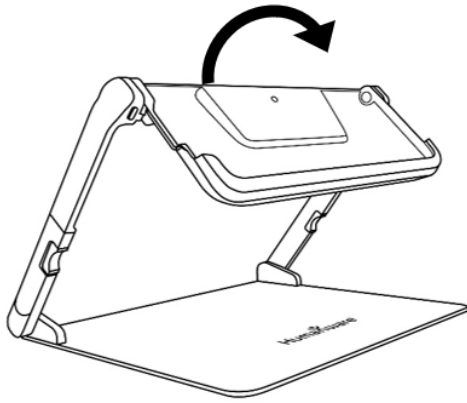
IMPORTANT : Faites attention lorsque vous branchez le câble au port USB.

3. Laissez votre appareil se recharger jusqu'à ce que la pile soit pleine. L'appareil sera plus chaud durant la recharge, ce qui est normal.
4. Une fois l'appareil complètement rechargé, débranchez délicatement le câble.
5. Appuyez sur le bouton **Mise en marche** ou déployez le pied de lecture pour commencer à utiliser l'appareil.

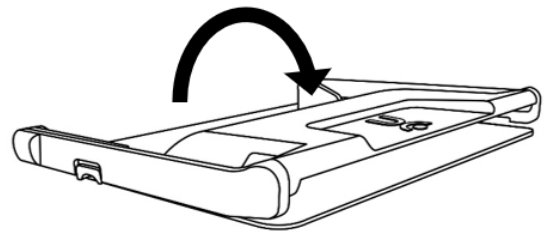
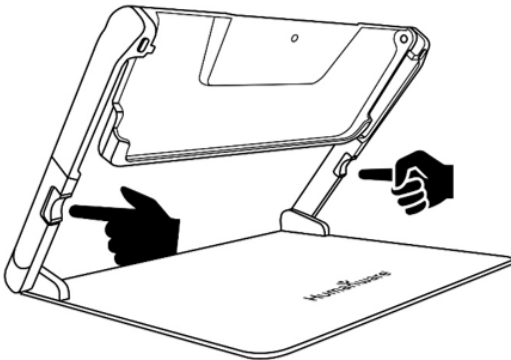


6. De manière alternative, vous pouvez déplier le support de lecture et placer l'appareil sur le plateau pour utiliser l'appareil en « Mode support ».





7. Lorsque vous avez terminé d'utiliser l'appareil en « Mode support », retirez l'appareil du plateau, puis appuyez sur les deux boutons orange de chaque côté du support pour le replier.



CHAPITRE 2 – UTILISER VOTRE EXPLORÉ 12

MISE EN MARCHÉ

Pour démarrer votre loupe, appuyez sur le bouton **Mise en marche** situé sur le côté gauche de votre appareil. Vous pouvez utiliser votre appareil en le tenant comme une tablette.

Vous pouvez également démarrer votre loupe en dépliant a) le pied derrière l'appareil ou b) le support de lecture et en plaçant l'appareil au-dessus du texte que vous souhaitez lire.



Après quelques secondes, exploré 12 s'allumera et affichera l'image capturée par la caméra. Vous êtes maintenant en mode Loupe.

ÉTEINDRE L'APPAREIL

Pour éteindre l'appareil, appuyez sur le bouton **Mise en marche**.

MODE LOUPE

Le mode Loupe est le principal mode d'utilisation d'exploré 12. Avec le support fermé, vous serez en mesure d'agrandir des objets à distance. Avec le pied ouvert, vous pourrez agrandir des objets ou documents rapprochés sur une table. Lorsque l'appareil est en mode support, vous

pourrez observer des objets agrandis sans avoir à les déplacer physiquement.

ZOOM AVANT ET ARRIÈRE

Pour faire un zoom avant, appuyez sur le bouton **Zoom+** ou maintenez le bouton **Zoom+** enfoncé jusqu'à ce que l'image soit d'une taille adéquate. Vous pouvez également faire un zoom arrière en appuyant sur le bouton **Zoom-** ou en maintenant le bouton **Zoom-** enfoncé jusqu'à ce que vous soyez satisfait de la grosseur de l'image.

Vous pouvez également activer le geste **pincer et agrandir** (diminuer et augmenter la distance entre deux doigts) à partir du menu pour faire un zoom arrière et avant sur une image en mode Loupe (voir ch. 4).

Vous pouvez faire glisser deux doigts de haut en bas au milieu de l'écran et le grossissement de l'image réduira à 1x, ce qui vous permettra de repositionner le document. L'image reviendra au niveau de grossissement précédent lorsque vous relâcherez vos doigts de l'écran.

FAIRE DÉFILER HORIZONTALEMENT UNE IMAGE EN MODE LOUPE (SUPPORT DE LECTURE SEULEMENT)

Lorsque l'appareil est dans le support de lecture (disponible sur achat) et que vous regardez un document ou un objet en mode Loupe, vous pouvez faire défiler l'image à gauche et à droite en glissant un doigt sur l'écran, dans la direction vers laquelle vous souhaitez faire défiler.

Pour les niveaux de grossissement de 4x et plus, vous pouvez également afficher, à partir du menu, des flèches gauche et droite en

bas de l'écran (voir Ch. 4). En appuyant sur ces flèches, vous vous déplacez vers la gauche (ou la droite) de la zone visible de la caméra.



Veillez noter que vous devez sélectionner la caméra « rapprochée » en mode support pour faire fonctionner la fonctionnalité de défilement horizontal.

ALTERNER ENTRE LES CAMÉRAS

Par défaut, le mode Loupe est ajusté à la caméra « rapprochée » lorsque le pied ou le support de lecture est ouvert. Il est toutefois possible de passer à la caméra « éloignée » en appuyant sur le bouton **Changer de caméra** dans le coin supérieur droit de l'écran.

De manière alternative, il est possible de changer de caméra en sélectionnant l'item **Changer de caméra** dans le menu (voir Ch. 4).

CHANGER LE CONTRASTE

explorē 12 vous permet de personnaliser votre contraste afin qu'il corresponde à vos besoins et préférences. Appuyez sur le bouton **Contraste** pour changer le contraste jusqu'à ce que vous trouviez celui qui vous convient le mieux.

Les contrastes par défaut disponibles sont énumérés ci-dessous :

- Couleur, noir sur blanc, blanc sur noir, noir sur jaune, jaune sur noir.

D'autres contrastes sont aussi disponibles à partir du menu (voir ch. 4):

- Noir sur orange, orange sur noir, noir sur cyan, cyan sur noir, noir sur violet, violet sur noir, noir sur vert, vert sur noir, bleu sur jaune, jaune sur bleu, blanc sur bleu, bleu sur blanc.

ÉTEINDRE ET ALLUMER LES LUMIÈRES

Maintenez enfoncés les boutons Zoom+ et Zoom- simultanément pour éteindre les lumières si nécessaire et pour les rallumer. Veuillez noter que la caméra rapprochée doit être sélectionnée pour allumer les lumières.

LIGNES ET BANDES

explorē 12 vous permet d'ajouter une ligne ou des bandes horizontales pour faciliter votre lecture.

Pour ajouter ou retirer une ligne, maintenez enfoncés les boutons **Contraste** et **Zoom+** simultanément.

Pour ajouter ou retirer des bandes, maintenez enfoncés les boutons **Contraste** et **Zoom-** simultanément

AUTOFOCUS

explorē 12 inclut un autofocus (mise au point automatique) qui peut être en mode **verrouillé**, **déverrouillé** et **manuel** à partir du menu (voir ch. 4).

Pour verrouiller temporairement l'autofocus, tapez deux fois sur l'écran. Une icône de cadenas apparaît dans le coin supérieur droit de l'écran. Tapez à nouveau deux fois sur l'écran pour déverrouiller l'autofocus.



Notez que la modification du niveau de grossissement de l'image déverrouille également le verrouillage temporaire de l'autofocus.

Lorsqu'il est **déverrouillé** (par défaut), explorē 12 ajustera dynamiquement sa mise au point en fonction de l'objet se trouvant devant lui. Il est possible de forcer une mise au point en touchant l'écran.

Lorsque l'autofocus est **verrouillé** ou que vous utilisez votre loupe en position table, explorē 12 conservera sa première mise au point même s'il y a des mouvements ou des changements dans l'image.

Le mode **manuel**, quant à lui, vous donne la possibilité de choisir où faire la mise au point en touchant un endroit précis sur l'écran avec votre doigt. Notez que le mode **manuel** fonctionne seulement quand vous utilisez votre explorē 12 à distance ou sur le support. L'autofocus continuera à fonctionner en mode verrouillé lorsque vous utilisez votre caméra en position table.

CAPTURER UNE IMAGE

Lorsque vous êtes en mode Loupe, explorē 12 vous permet de faire une capture d'image, ce qui est particulièrement utile lorsque vous lisez des étiquettes de produits situés en haut des tablettes des magasins. Pour capturer une image, alignez votre appareil avec le texte que vous souhaitez capturer puis appuyez sur le bouton **Capture**. Votre appareil prendra une photo de l'objet situé devant votre loupe. L'image sera affichée sur votre écran jusqu'à ce que vous décidiez de revenir en mode Loupe.

Pour revenir en mode Loupe, appuyez de nouveau sur le bouton **Capture**.

NAVIGUER SUR UNE IMAGE CAPTURÉE

Pour faire un zoom avant, appuyez sur le bouton **Zoom+** ou maintenez le bouton **Zoom+** enfoncé jusqu'à ce que l'image soit d'une taille adéquate. Vous pouvez également faire un zoom arrière en appuyant sur le bouton **Zoom-** ou en maintenant le bouton **Zoom-** enfoncé jusqu'à ce que vous soyez satisfait de la grosseur de l'image.

Vous pouvez également activer le geste **pincer et agrandir** (diminuer et augmenter la distance entre deux doigts) à partir du menu pour faire un zoom arrière et avant sur une image capturée (voir ch. 4).

Maintenez votre doigt sur l'écran et faites-le défiler pour voir d'autres parties de l'image capturée.

Comme en mode Loupe, appuyez sur **Contraste** pour changer le contraste selon votre préférence.

MODE GALERIE

Pour sauvegarder une image dans la Galerie, maintenez enfoncé le bouton **Capture** pendant une demi-seconde pendant que vous êtes en mode Loupe. Vous devriez voir un message de sauvegarde s'afficher brièvement à l'écran, ce qui signifie que votre image est maintenant sauvegardée dans la Galerie de votre appareil.

Vous pouvez également activer le geste **Toucher et maintenir** (maintenir le doigt enfoncé sur l'écran) à partir du menu pour sauvegarder une image dans la Galerie (voir ch. 4).

ACCÉDER À LA GALERIE

Vous pouvez accéder à la Galerie d'exploré 12 en appuyant sur les boutons **Contraste** et **Capture** simultanément. Glissez votre doigt à gauche ou à droite pour sélectionner une image. Vous pouvez

également appuyer sur les flèches à l'écran pour sélectionner une image.

Vous pouvez faire un zoom avant et un zoom arrière sur une image sauvegardée en appuyant sur ou en maintenant enfoncés les boutons **Zoom+** et **Zoom-**. Vous pouvez également activer le geste **pincer et agrandir** (diminuer et augmenter la distance entre deux doigts) à partir du menu (voir ch. 4).

Pour sortir de la Galerie et retourner en mode Loupe, appuyez sur **Retour** (sur l'écran) ou maintenez enfoncé le bouton **Contraste**.

SUPPRIMER DES IMAGES

Pour supprimer une image de la Galerie, accédez à la Galerie et déplacez-vous vers l'image que vous souhaitez supprimer (en glissant votre doigt à gauche ou à droite sur l'écran ou en appuyant sur les flèches). Ensuite, maintenez enfoncé le bouton **Capture**.

Vous pouvez également activer le geste **Toucher et maintenir** (maintenir le doigt enfoncé sur l'écran) à partir du menu pour supprimer une image (voir ch. 4).

Vous aurez l'option de Supprimer ou Annuler. Appuyez sur Supprimer pour confirmer la suppression, ou sur Annuler ou **Contraste** pour annuler la suppression.

Vous pouvez supprimer tout le contenu de la Galerie en sélectionnant l'élément **Vider la Galerie** dans le menu (voir ch. 4).

UTILISER UN ÉCRAN EXTERNE

Vous pouvez afficher le contenu de votre loupe exploré 12 sur un écran externe (comme un téléviseur) afin d'avoir une plus grande image. Pour ce faire, vous n'avez qu'à brancher votre exploré 12 à un écran

externe à l'aide du câble vidéo haute résolution inclus. Consultez l'Annexe B pour une liste des formats vidéo haute résolution supportés.

CHAPITRE 3 – EXPORTER DES IMAGES VERS UN ORDINATEUR

Pour transférer des images de la Galerie de votre exploré 12 vers votre ordinateur, branchez votre loupe à votre ordinateur à l'aide du câble USB fourni. Vous devriez voir apparaître un message indiquant que votre appareil est branché à votre ordinateur. Vous pouvez maintenant copier-coller les images de votre Galerie vers votre ordinateur en vous servant de votre explorateur de fichiers.

Lorsqu'il est branché à un ordinateur, le exploré 12 fonctionnera exactement comme une clé USB ou un disque dur externe. Les images de la Galerie sont situées dans le dossier Images de votre exploré 12.

Ne débranchez jamais le câble USB lorsque vous copiez ou supprimez une image de l'appareil car certaines d'entre elles pourraient être perdues.

CHAPITRE 4 – MENU

ACCÉDER AU MENU ET MODIFIER LES RÉGLAGES

Maintenez enfoncé le bouton **Contraste** pour accéder au menu. Vous pouvez parcourir le menu en faisant glisser votre doigt vers le haut ou vers le bas sur l'écran ou en appuyant sur le bouton **Zoom+** pour vous déplacer vers le haut et **Zoom-** pour vous déplacer vers le bas. Vous pouvez également appuyer sur les flèches haut et bas à l'écran.

Pour sélectionner un élément, appuyez sur celui-ci. Pour revenir au menu précédent, appuyez sur **Contraste** ou sur **Retour**. Pour quitter rapidement le menu, maintenez enfoncé le bouton **Contraste** ou **Retour**.

Le menu contient les éléments suivants :

- **Galerie** (accéder aux images de la galerie)
- **Changer de caméra** : Caméra éloignée*, Caméra rapprochée (Caméra rapprochée* dans les modes table et support)
- **Autofocus** : Déverrouillé*, Verrouillé (Verrouillé* en mode table), Manuel (Verrouillé en mode table)
- **Luminosité de l'écran** (changer la luminosité de l'écran) : 1 à 9 (8*)
- **Écran tactile** (sous-menu, appuyez pour activer les gestes et vibrations)
 - **Pincer et agrandir** (diminuer/augmenter la distance entre deux doigts pour modifier le zoom)
 - **Vibrations**
 - **Toucher et maintenir** (maintenir enfoncé le doigt dans la Loupe pour sauvegarder une image dans la Galerie)
 - **Boutons de défilement** (pour le grossissement 4x ou plus sur le support pliable uniquement; affiche les flèches gauche et droite en bas de l'écran pour aller à l'extrême gauche ou droite de la zone visible de la caméra)
- **Arrêt automatique** (choisir combien de temps l'appareil reste allumé) : 1 minute, 2 minutes, 5 minutes*, 10 minutes
- **Zoom favori** (changer le grossissement par défaut au démarrage de l'appareil) : Précédent (le niveau auquel vous étiez lorsque vous avez éteint votre appareil), de 2x* à 30x; 2x* à 15x (en mode support avec la caméra rapprochée)
- **Contraste** (sous-menu)
 - **Contraste favori** (contraste de l'appareil quand vous l'ouvrez) : Précédent* (le dernier contraste utilisé), Couleur, contrastes actifs

- **Menu** (sélectionner la couleur des menus) : Noir sur blanc*, Blanc sur noir, Noir sur jaune, jaune sur noir, Noir sur orange, Orange sur noir, Noir sur cyan, Cyan sur noir, Noir sur violet, Violet sur noir, Noir sur vert, Vert sur noir, Bleu sur jaune, Jaune sur bleu, Blanc sur bleu, Bleu sur blanc
- **Contrastes actifs** (sélectionner les paires de couleurs disponibles en mode Loupe) : Noir sur blanc*, Blanc sur noir, Noir sur jaune, jaune sur noir, Noir sur orange, Orange sur noir, Noir sur cyan, Cyan sur noir, Noir sur violet, Violet sur noir, Noir sur vert, Vert sur noir, Bleu sur jaune, Jaune sur bleu, Blanc sur bleu, Bleu sur blanc
- **Ligne et bandes** : Ligne, Bandes, Aucun*
- **Éclairage** : Activé*, Bas, Désactivé
- **Taille du texte du menu** : Petit, Moyen*, Grand
- **Langue** : Anglais (É.-U.)*, anglais (R.-U.), français (CA), français (France), espagnol (Amérique), espagnol (Espagne), allemand, néerlandais, danois, polonais, portugais (Portugal), portugais (Brésil), norvégien, italien, suédois, finnois, russe, tchèque, japonais, coréen, islandais, estonien, turc, lituanien, hongrois, letton, arabe, chinois (simplifié), chinois (traditionnel), hébreux, géorgien, farsi, kurde
- **Affichage** : 50 Hz, 60 Hz*
- **Effacer la Galerie** : Supprime toutes les images sur l'appareil
- **Réglages par défaut** : Efface tous les paramètres personnalisés sur l'appareil et réinitialisation à l'état d'usine
- **À propos** (afficher de l'information concernant votre appareil) : Date et heure, logiciel, Matériel, Numéro de série

CHAPITRE 5 – METTRE À JOUR VOTRE SYSTÈME

Rendez-vous à l'adresse :

<http://support.humanware.com/fr-canada/support/explore>

Ensuite, téléchargez la dernière version du logiciel explorē 12. Branchez votre appareil à votre ordinateur en vous servant du câble USB fourni. À l'aide de votre explorateur de fichiers, transférez le fichier que vous avez téléchargé dans la racine de votre explorē 12. Une fois le transfert terminé, débranchez votre câble USB de votre ordinateur, puis redémarrez votre explorē 12. Votre appareil devrait se mettre à jour automatiquement.

CHAPITRE 6 – RECHARGER VOTRE SYSTÈME

IMPORTANT : La pile devient chaude lors de la recharge. Cela est normal. Ne rechargez pas votre pile près d'une source de chaleur.

Pour recharger votre pile avec l'alimentation électrique :

- Branchez le câble USB au chargeur USB. Ensuite, connectez soigneusement le câble à la loupe, puis branchez le chargeur à une prise de courant.
- Laissez votre tablette se recharger jusqu'à ce que la pile soit pleine. Il faut environ 3,5 heures pour recharger complètement un appareil vide.

Lors du processus de recharge, l'image ci-dessous s'affichera quelques instants lorsque votre pile commence à se recharger ou lorsque l'appareil est mis en marche.



L'éclair signifie que votre appareil est en charge. Le nombre à sa droite représente le pourcentage de charge qu'il reste à votre pile.

Dans certains cas, la loupe peut se recharger plus lentement ou ne pas se recharger du tout selon la force du courant fourni par l'ordinateur. La façon la plus efficace de recharger l'appareil est d'utiliser le câble USB fourni et le brancher au chargeur USB afin de le charger à partir d'une prise de courant.

Bien que cela puisse allonger le temps de recharge, l'appareil peut être utilisé lorsqu'il est en recharge.

Prenez note que si la pile est entièrement déchargée ou si elle n'a pas été utilisée pour une longue période, il y aura un délai pouvant aller jusqu'à quelques minutes avant que l'appareil puisse être utilisé. Cela est normal.

Prenez aussi note que, comme c'est le cas pour tous les appareils électroniques, votre exploré 12 se réchauffera lorsqu'il est utilisé ou lorsqu'il est en recharge.

Mesures de sécurité concernant la pile :

- Ne pas démonter ou modifier la pile.
- Utiliser uniquement le chargeur de HumanWare.

Il y a un risque de surchauffe, d'incendie ou d'explosion si la pile est exposée à une flamme, chauffée, mouillée, subit un impact ou si les bornes sont court-circuitées.

CHAPITRE 7 – DÉPANNAGE

explorē 12 ne s'allume pas:

Maintenez enfoncé le bouton de **Mise en marche**. Si l'appareil ne s'allume toujours pas, il se peut que vous deviez recharger votre pile.

Branchez le câble USB et le chargeur USB dans la prise de courant ou uniquement le câble USB à un ordinateur en marche. Si la pile était complètement déchargée, il est possible que quelques minutes doivent s'écouler avant que l'appareil se mette en marche (voir ch. 6 pour plus de détails).

L'écran est vide:

Si l'appareil est déposé sur une table ou toute autre surface plate, l'image pourrait être vide. Soulevez votre loupe afin de voir si c'est la raison pour laquelle votre écran est vide.

Si votre problème n'est toujours pas résolu, redémarrez votre appareil.

L'image est floue à l'écran:

Assurez-vous que l'Autofocus soit réglé à Déverrouillé dans le menu. Déplacez la loupe au-dessus du document que vous voulez lire. La mise au point de la loupe se fera de nouveau.

explorē 12 s'éteint après une période d'inactivité:

Il s'agit d'un comportement normal visant à conserver la pile. Par défaut, explorē 12 s'éteindra après 5 minutes d'inactivité. Il est possible

de configurer le délai d'arrêt automatique à 1 minute, 2 minutes, 5 minutes ou 10 minutes.

Les couleurs sont difficiles à détecter:

Assurez-vous d'abord d'avoir suffisamment de lumière ambiante.

Choisissez une différente combinaison de couleurs en appuyant sur le bouton **Contraste** lorsque vous êtes en mode Loupe.

Il y a trop d'éblouissement:

Inclinez l'objet dans une autre direction pour réduire l'éblouissement. Vous pouvez également éteindre les lumières en appuyant sur les boutons **Zoom+** et **Zoom-** simultanément.

explorē 12 ne répond pas:

Assurez-vous qu'explorē 12 ne soit pas branché à l'alimentation électrique par le câble USB; si c'est le cas, débranchez-le. Appuyez sur le bouton de **Mise en marche** pendant 10 secondes. explorē 12 s'éteindra. Ensuite, appuyez sur le bouton de Mise en marche à nouveau pendant une seconde pour rallumer l'appareil.

Autres problèmes:

Rétablissez les paramètres par défaut dans le menu.

Accédez au menu en maintenant enfoncé le bouton **Contraste**. Sélectionnez **Réglages par défaut** et sélectionnez Oui.

ANNEXE A – CONSIGNES DE SÉCURITÉ

Ne pas regarder la lumière DEL située à l'arrière de la loupe.

Ne pas utiliser à proximité de l'eau ou dans des zones à hauts taux d'humidité. Ne pas immerger.

Éteignez votre explorē 12 avant de le nettoyer.

Utiliser uniquement les câbles fournis avec votre explorē 12.

Pile:

explorē 12 possède une pile rechargeable Li-ion. La pile doit être remplacée par un technicien qualifié de HumanWare.

- Ne pas recharger l'appareil à proximité d'une source de chaleur. Ne pas conserver l'appareil dans des endroits soumis à de fortes températures.
- Utiliser uniquement un bloc d'alimentation compatible.
- Ne pas démonter ou modifier la pile.
- Ne pas immerger l'appareil, ne pas mettre en contact avec de l'eau.
- Ne pas lancer ou frapper l'appareil.
- Ne pas percer ou frapper l'appareil avec un objet pointu ou un marteau.
- Si la pile fuit et que vous recevez du liquide dans vos yeux, ne pas frotter vos yeux. Rincer plutôt les yeux avec de l'eau du robinet.
- Si la pile fuit ou entre en contact avec la peau, rincer immédiatement la zone affectée avec de l'eau propre afin d'éviter les blessures.

Nettoyer l'écran ACL:

Assurez-vous que votre appareil soit éteint et débranché.

Lorsque vous nettoyez votre écran, assurez-vous d'utiliser uniquement un linge de microfibre comme celui fourni avec votre explorē 12.

Essuyez délicatement votre écran ACL à l'aide de votre linge de microfibre.

Si vous décidez de nettoyer votre écran ACL avec un nettoyant liquide, assurez-vous que ce nettoyant convienne aux écrans ACL. L'eau distillée, l'alcool isopropylique et une solution vinaigre-eau (pas plus de 10 % de vinaigre) sont des nettoyants sécuritaires pour votre écran ACL.

Utilisez uniquement la quantité minimum de liquide afin d'éviter que le liquide s'infilte dans l'appareil. Si le liquide s'infilte, l'appareil risque de s'endommager. Assurez-vous qu'il ne reste plus de liquide sur l'écran. Répétez les étapes précédentes pour les traces plus difficiles à nettoyer.

N'utilisez jamais de produits de nettoyage domestique pour nettoyer votre exploré 12.

N'aspergez jamais votre écran ACL avec du liquide.

N'utilisez jamais de produits nettoyants contenant de l'alcool éthylique, de l'ammoniac, de l'acétone ou du chlorométhane.

N'utilisez jamais de lingettes essuie-tout pour nettoyer votre écran ACL.

ANNEXE B – SPÉCIFICATIONS

Dimensions: 282,5 x 202 x 24 mm

Dimension du support: 345 x 270 x 35.5 mm

Affichage: 12 po ACL ISP

Poids: 1134 g

Poids avec le support: 2268 g

Entrée de courant: Connecteur USB de type C, 5V@3A, 9V@2A ou 12V@1,5A

Autonomie: 3,5 heures en mode pied et/ou distance et 2 heures en mode support avec les DEL allumées

Temps de recharge: 4 heures (appareil éteint)

Formats vidéo haute résolution supportés:

1080p 60Hz, 1080p 60Hz, 720p 60Hz, 720p 50Hz

Ne supporte pas le mode d'émulation DVI

Conditions d'utilisation:

Température: 10 °C à 40 °C / 50 °F à 104 °F

Humidité: 20% à 80%

Conditions de transport et de stockage:

Température: -20 °C à 60 °C / -4 °F à 140 °F

Humidité: 10% à 95%

ANNEXE C – RENSEIGNEMENTS FCC

Déclaration de la FCC:

Cet appareil est conforme au Chapitre 15 de la réglementation FCC. Son fonctionnement est soumis aux deux conditions suivantes : (1) il ne doit pas provoquer d'interférences nuisibles et (2) doit accepter toute interférence reçue, y compris toute interférence susceptible d'en déclencher le fonctionnement non désiré.

Avertissement de la FCC:

Tous changements ou modifications apportés à cet appareil sans l'approbation expresse de la partie responsable de la conformité pourraient invalider l'autorisation donnée à l'utilisateur de le faire fonctionner.

Note: Cet appareil a été testé et respecte les limitations d'un appareil numérique de classe B conformément au point 15 du règlement FCC. Ces limitations ont été établies pour offrir une protection raisonnable contre le brouillage préjudiciable dans une installation résidentielle. Cet équipement génère, utilise et peut émettre une énergie de fréquence radio. Si le produit n'est ni installé ni utilisé selon les indications du présent guide d'utilisation, il peut générer des interférences nuisibles aux communications de type radio ; cependant aucune certitude n'existe sur la génération possible d'interférences dans une installation quelconque. Si des interférences nuisibles à la réception de radio ou de télévision sont créées, ce qui peut être déterminé en allumant et en éteignant les équipements, l'utilisateur peut tenter de corriger la situation à l'aide de l'une des méthodes ci-dessous :

- Changer l'orientation ou l'emplacement de l'antenne de réception.
- Augmenter la distance entre l'équipement et le récepteur.
- Brancher cet équipement dans une prise sur un circuit différent.
- Consulter un vendeur ou un technicien radio/télévision expérimenté pour obtenir de l'assistance.

Note: Cet appareil a été testé avec des câbles blindés sur les équipements périphériques. Des câbles blindés doivent être utilisés avec cet appareil afin d'en assurer la conformité.

ANNEXE D – GARANTIE

HumanWare garantit que explorē 12, dès la date de livraison, est exempt de tout défaut de matériaux ou de fabrication pour une période de deux (2) ans, sauf indication contraire par la loi dans la région ou le pays d'achat.

Cette garantie est non transférable et s'applique dans tous les cas où le dommage n'est pas causé par un usage non approprié, un mauvais traitement ou de la négligence. Un usage non approprié est un usage autre que celui indiqué dans le présent guide d'utilisation. En aucun cas HumanWare ou ses distributeurs ne seront tenus responsables pour des dommages indirects ou consécutifs.

Un remplacement ou une réparation seront effectués seulement si le système est accompagné d'une copie de la facture originale d'achat. Veuillez conserver votre copie originale. Si le système doit être retourné, veuillez utiliser l'emballage original.

Customer support

For customer support, please contact the HumanWare office near you or visit our Website at: www.humanware.com

Service à la clientèle

Pour le service à la clientèle, veuillez communiquer avec le bureau HumanWare le plus près de chez vous, ou consultez notre site web : www.humanware.com

North America | Amérique du Nord

1 (800) 722-3393 | support@humanware.com

Europe

(0044) 1933 415 800 | eu.support@humanware.com

Australia / Asia | Australie / Asie:

(02) 9686 2600 | au.sales@humanware.com

ACCD-0271
REV 03

 **HumanWare**TM
see things. differently.