

Prodigy™ Connect¹²



User Guide



CONTENTS

Chapter 1: Introduction.....	2
Chapter 2: Getting to know your Prodigy	4
Box Contents.....	4
Prodigi Connect at a glance	5
Setting up	12
Chapter 3: Using Prodigy	16
The Button Banner	16
Magnifying.....	17
Capturing.....	21
Full page capture	22
Multi-Capture.....	23
Reading.....	25
Using the Carousel menu.....	32
Downloading Books	33
Using the calculator.....	36
Viewing saved documents	37
The Action Menu	39
Using the Distance Camera	43
Viewing Distance Camera Images	49
Reading with the Distance camera	50
Removing Distance Camera from Stick ..	50
Viewing text files in Prodigy	51
Chapter 4: Choosing your contrast.....	53
Chapter 5: Simple Mode.....	55
Chapter 6: Changing your Settings	57
Chapter 7: Accessing Android.....	64

Chapter 8: Recharging your Tablet 65
Chapter 9: Recharging your distance camera
..... 67
Chapter 10: Software update 68
 Setting up your Wi-Fi..... 68
 Automatic update 69
 Manual update 69
Chapter 11: Troubleshooting..... 70

CHAPTER 1: INTRODUCTION

Thank you for purchasing Prodigy™ Connect 12, the touch-controlled personal vision assistant system from HumanWare, global leader in assistive technologies for people who have low vision. Prodigy is a simple, intelligent, portable, and adaptable line of products aimed at restoring and maintaining independence for people living with vision loss.

Prodigy Connect is a complete magnification system that will allow you to magnify, read documents, and capture images anywhere you are.

Carefully read the operating and safety instructions described in this user guide prior to using your Prodigy. If you have any questions about your system, please contact HumanWare Customer Service by consulting the contact information on the back of this user guide.

Copyright 2017 by Technologies HumanWare Inc., all rights reserved. No part of this publication may be reproduced or distributed in any form or by any means, or stored in a database or retrieval system, without the prior written permission of Technologies HumanWare Inc.

CHAPTER 2: GETTING TO KNOW YOUR PRODIGI

BOX CONTENTS

Protective Carrying Case

- Prodigy Tablet 12.2
- Power Supply
- USB Recharge Cable
- Folding Stand
- 5 replaceable stylus tips

Distance Viewing (Optional)

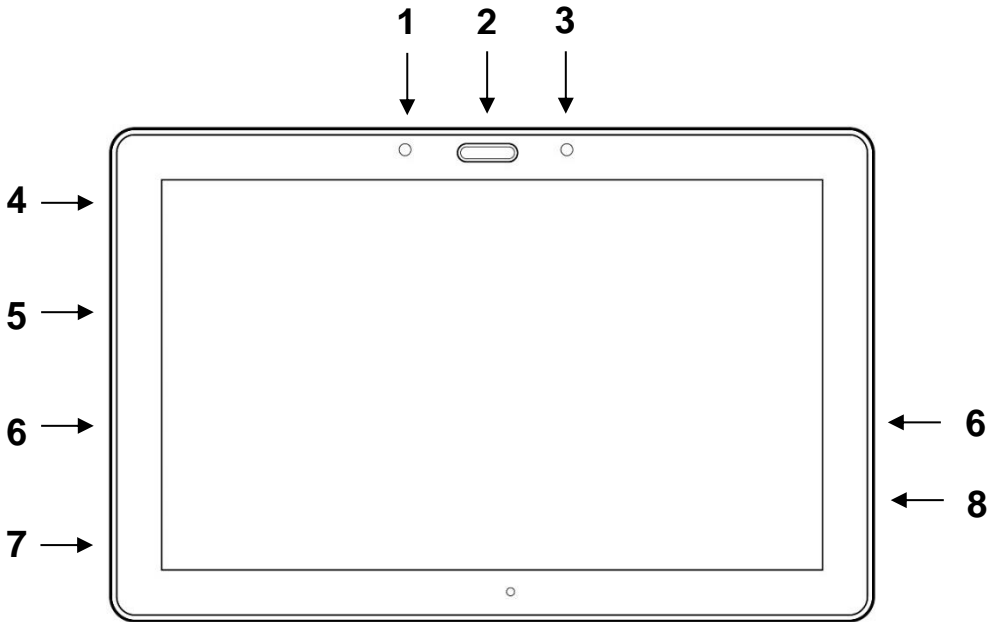
- Distance Camera
- AC adapter
- USB cable
- Wrist strap
- Camera Stick
- Camera Quick start Guide
- Camera User Manual
- Warranty card
- Service card

Prodigi Box

- Getting Started Guide
- User Guide
- Warranty Sheet

PRODIGI CONNECT AT A GLANCE

Front Face



1. Back Button (not a physical button)
2. Home Button
3. History Button (not a physical button)
4. MicroSD slot
5. USB slot
6. Speaker
7. Stylus
8. Headphone slot

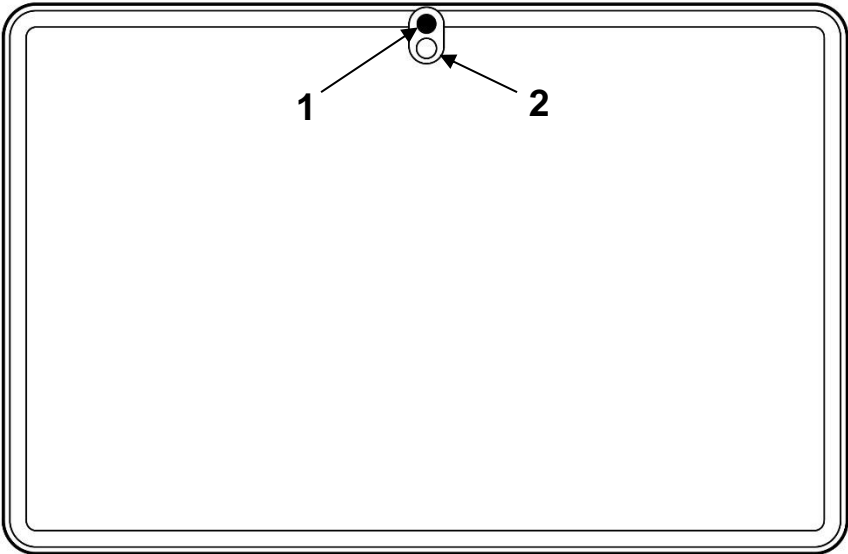
Note: Tablet is inserted in stand upside down intentionally, for better camera usage.

Bottom Edge



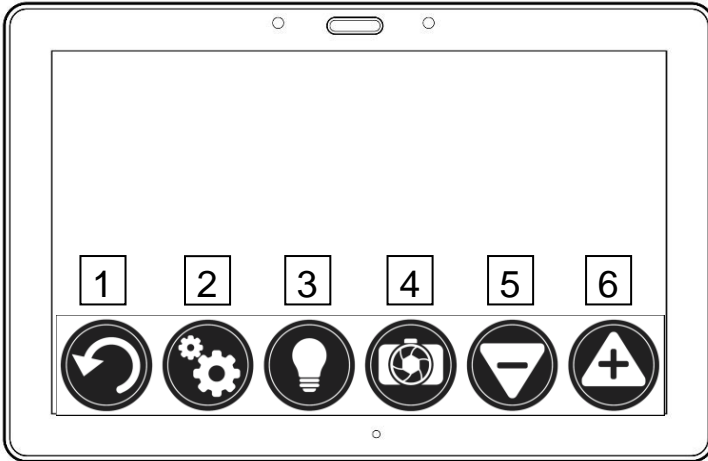
1. Volume Down-Up
2. Power Button

Back Side

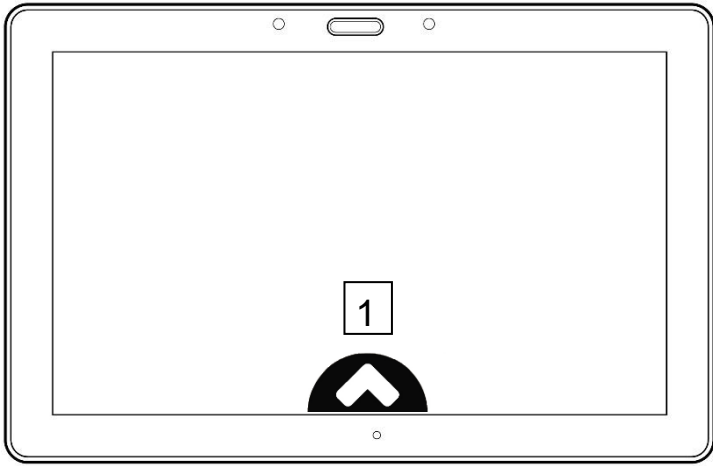


1. Camera
2. LED

Button Banner

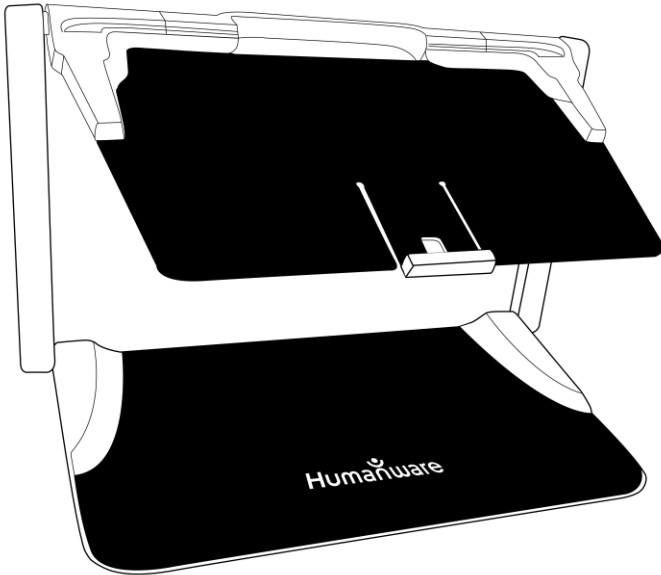


1. Back button
2. Settings button
3. Light Button
4. Capture/Read Button
5. Zoom Out Button
6. Zoom In Button

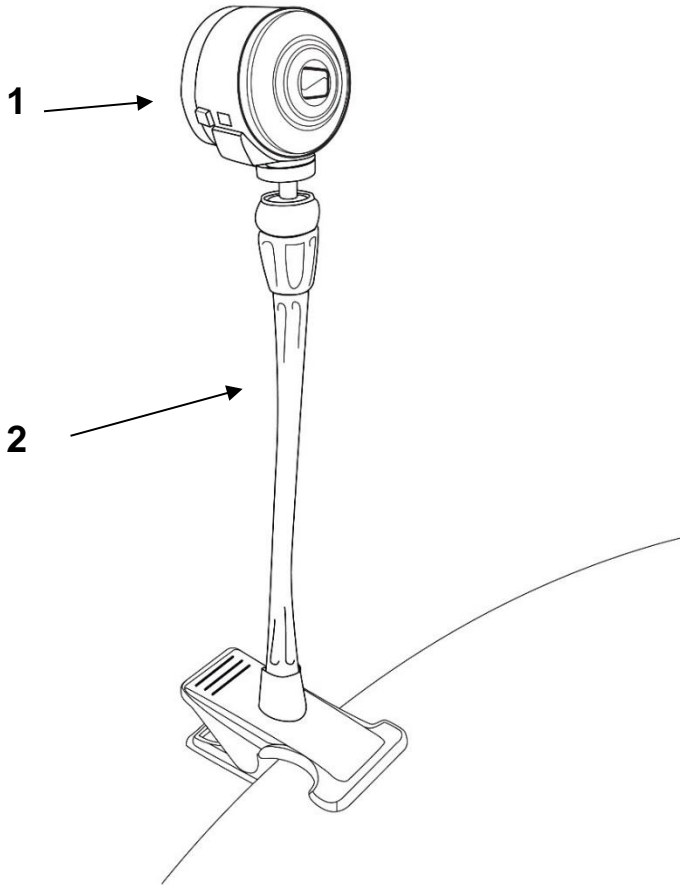


1. Open Banner Button

Folding stand

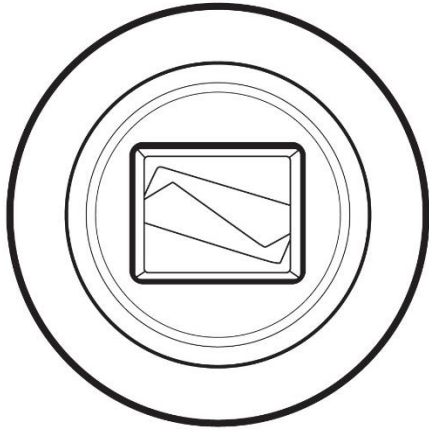


Distance camera

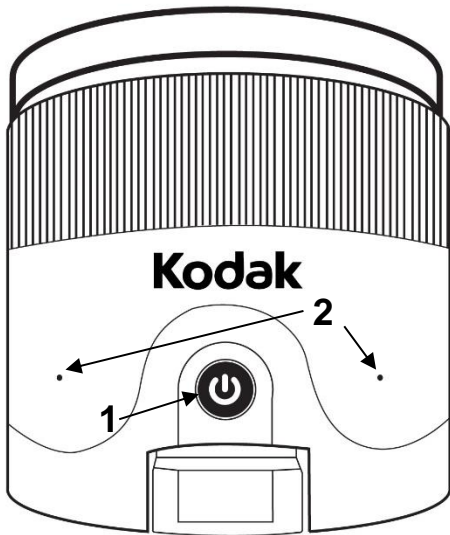


- 1. Distance camera
- 2. Distance camera stick

Front view

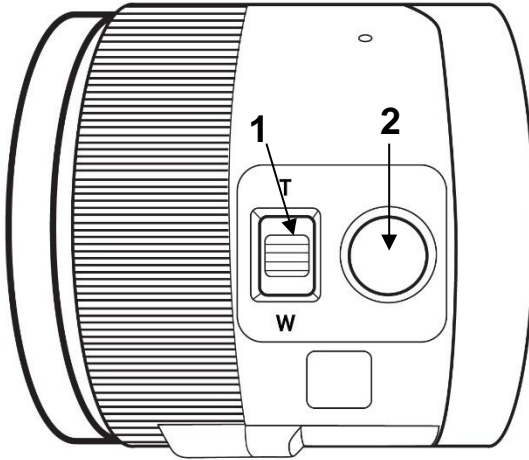


Top view



1. Power button
2. Microphone

Left view

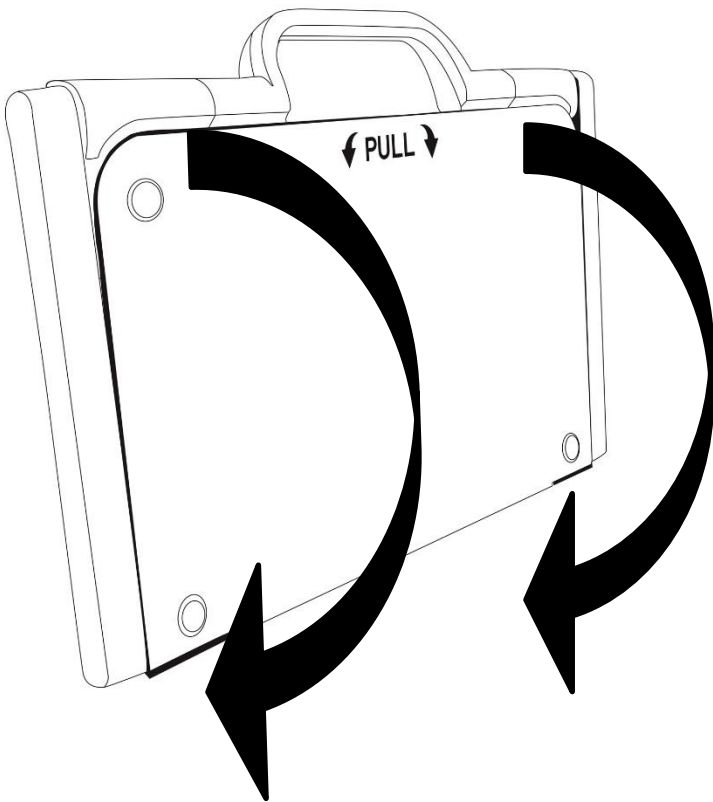


1. Zoom lever
2. Shutter button

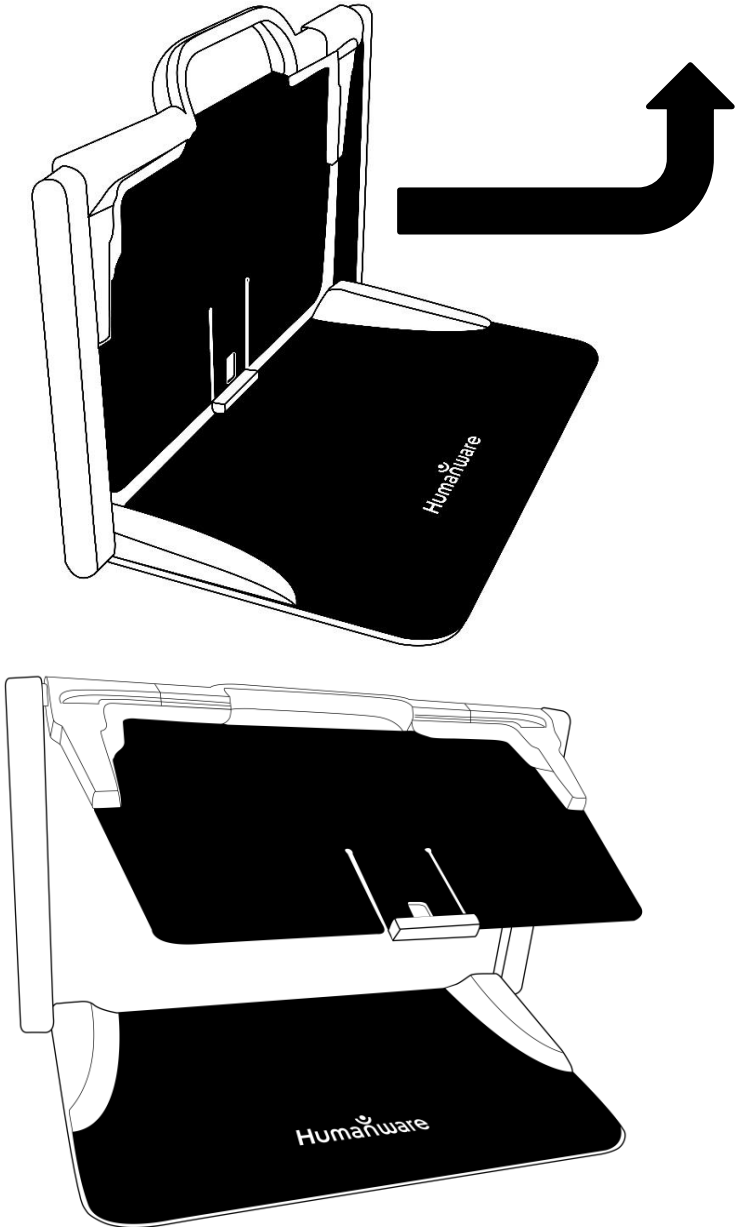
IMPORTANT: It is essential to keep the Quick Start guide provided with your distance camera as it contains your camera's pairing information.

SETTING UP

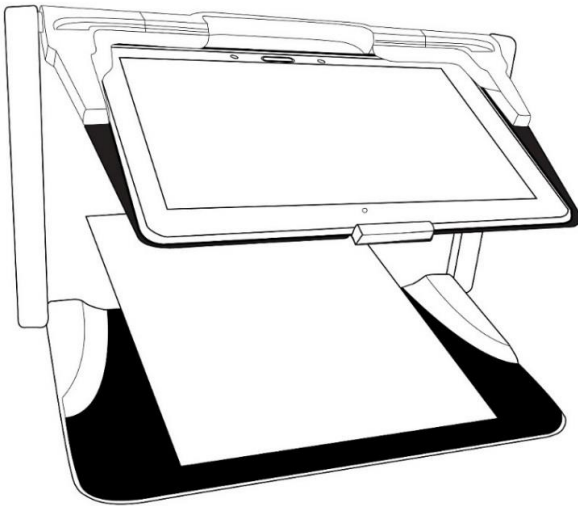
1. On a flat and stable surface, hold your Prodigy stand in an upright position making sure the panel with the word “PULL” is facing you. While holding the handle with one hand, unfold the “PULL” panel with your other hand until it is flat on the table.



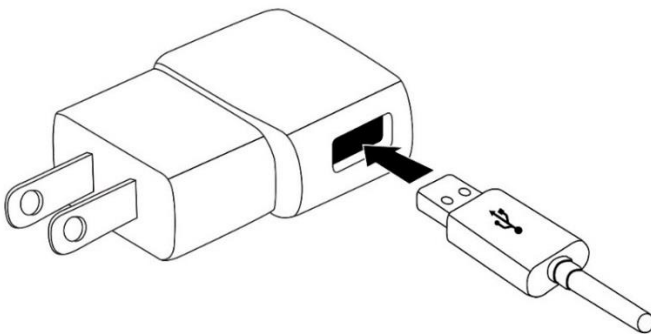
2. Next, unfold the top panel until it is roughly parallel with the lower panel.



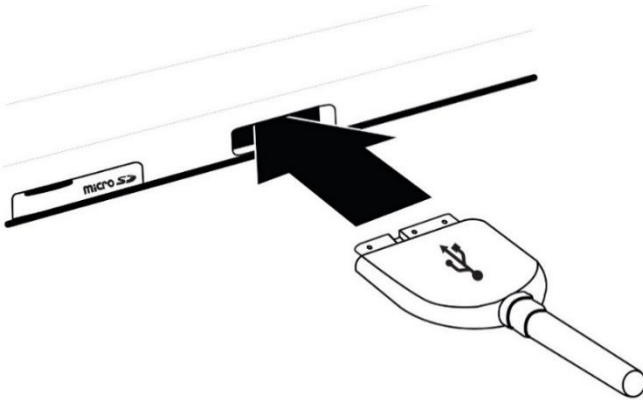
3. Hold your tablet with the screen side facing you, making sure the Samsung logo is upside down. Carefully insert your tablet into the slot and slide it forward until you reach the back end of the slot. Lock the front bracket to fasten your tablet onto the folding stand.



4. Connect the USB Recharge Cable to the Power Supply.



5. Carefully connect the cable to the recharge port and plug it to an outlet. The recharge port is located on the left side of the tablet.



IMPORTANT: Use caution while inserting the cable into the Recharge Port.

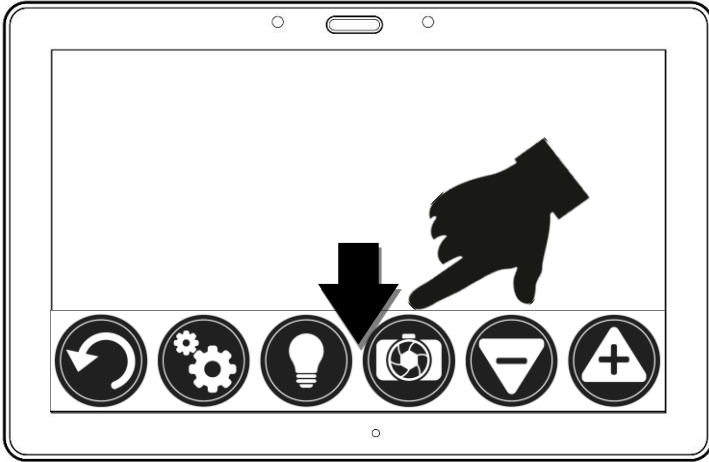
IMPORTANT: Do not close your folding stand with your tablet in it when the recharge cable is plugged in. You could damage the recharge cable or tablet.

6. Allow the tablet to charge until the battery is full (initial charge is 8 hours).
7. Press and hold the Power button to power on your tablet. Your tablet will take about 30 seconds to initialize. The Samsung logo will appear on the screen (possibly upside down for booting, as the tablet is inserted upside down).

CHAPTER 3: USING PRODIGI

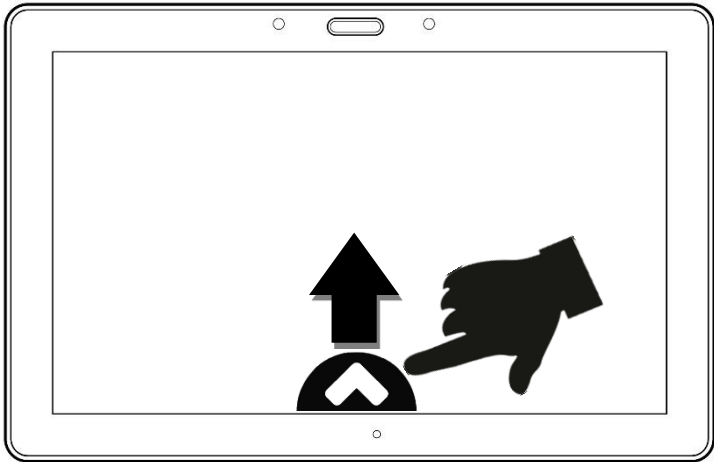
THE BUTTON BANNER

Most of Prodigy Connect's actions are performed through the Virtual Button banner located at the bottom of your screen.



If you wish to hide this banner to better see your screen, do a **downward swipe** on the button banner (move your hand downwards while touching the screen with a finger). The banner will be replaced by the Open Banner button at the bottom of your screen.

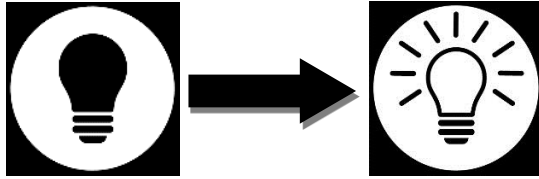
Tap this button or **swipe upward** on the button to display the Button Banner.



MAGNIFYING

- Power on the tablet.
- Align the tablet above the document or object you wish to view.
- It is recommended to use the Folding stand to stabilize your tablet above the document you wish to view.
- Move the object or document under your tablet to find the information you are looking for.

- Tap the Light button to turn on the tablet's light if the display is too dark.



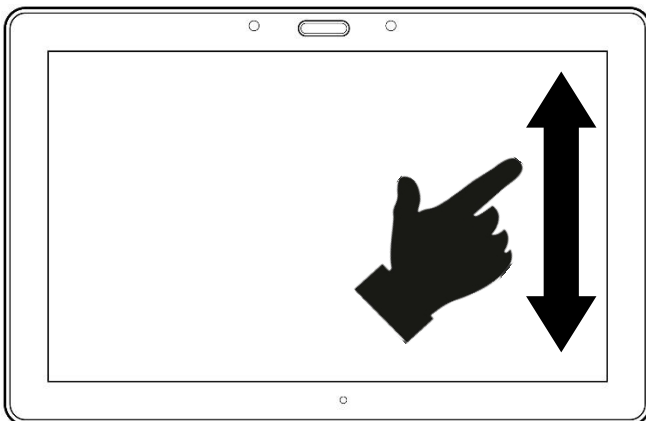
- Tap the **Zoom In-Out** buttons to adjust the zoom level. To increase character size, tap the **Zoom In** button (+). To decrease character size, tap the **Zoom Out** button (-). You can also tap and hold the Zoom In-Out buttons to progressively adjust the zoom level, and release once you reach your desired zoom level.



- In addition to the Zoom In-Out buttons, you can use the **pinch and zoom** gesture to adjust the zoom level. Decrease the distance between 2 fingers to zoom out, and increase the distance to zoom in:



- To toggle between **color**, **positive**, and **negative** contrasts, simply swipe vertically on the right side of the tablet's screen (see **Chapter 4: Choosing your contrast** for more details).



Note: Prodigy Connect allows you to decide whether to lock or unlock the camera's autofocus. This is useful when the right focus is displayed for the document and you want to lock its position, or when you are performing a manual task like writing on a piece of paper, and want to prevent your tablet from refocusing on your hand or pencil, for example. To lock autofocus, simply perform a **double tap** gesture (tap twice quickly) anywhere on your screen. Double tap again anywhere on the screen to unlock autofocus. The following icon will appear on the right side of your screen when autofocus is turned off.



CAPTURING

- Using the folding stand, position the tablet above the document or object you wish to capture.

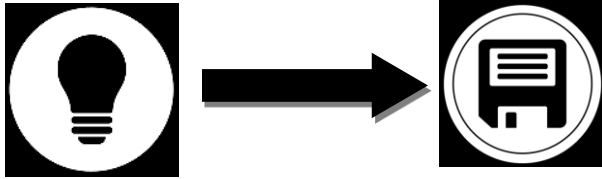
Note: The tablet does not need to be perfectly aligned above your document; by default, Prodigy will automatically correct the angle of your tablet. On screen, two triangular shapes on each side of your document will indicate angle correction. You can change this by accessing the Settings. Tap the Settings button, swipe up to select Angle Correction, and tap to uncheck. Tap Back to exit.

- Tap the Capture button to capture your document or tap and hold your finger on the screen for 2 seconds.



- You will hear a picture sound, followed by a clicking sound; indicating that the document has been captured.

- Once you make a capture, the Light button will disappear and be replaced by the Save button. This button allows saving of capture in Gallery.



- Tap the Save button to save your document in the Gallery for future use.
- Tap the Back button if you want to return to Magnifier Live mode.

FULL PAGE CAPTURE

To capture a full page:

- Make sure the angle of your folding stand is approximately 90° (you may need to adjust this later).
- Instead of laying your sheet vertically, place your sheet sideways (landscape position) so that the top of your text is located under the left edge of your Prodigy, and the bottom of your text is

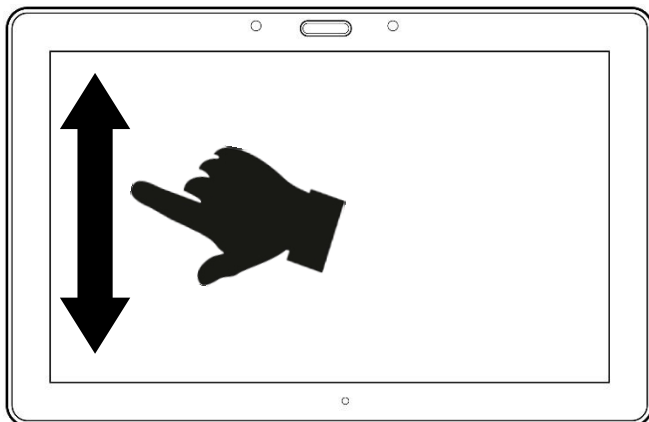
located under the right edge of your Prodigy.

- From Magnifier mode, tap the Zoom Out button once. This will activate full page view, turn on LED and reduce the button banner.
- Align your page visually under the stand so that all of the text is displayed on-screen.
- Long press to capture.

Tip: to capture more text, you can raise the tablet further from the document, allowing more view angle.

MULTI-CAPTURE

- To capture a multipage document, toggle to **Multi-Capture mode** by swiping vertically on the left side of the tablet's screen:



Note: You can also toggle to Multi-Capture mode from the Settings. Tap the Settings button, swipe up to select Mode and tap to set it to Multi-Capture. Tap Back to exit the Settings.

- You can now capture a multipage document. Align the tablet above the first page of the document you wish to capture and press the Capture button or press and hold your finger down on the screen. Proceed in the same way for each page you wish to capture. Your multipage document will be saved in the Gallery for future use.

- To end Multi-Capture and view your document, tap the top left Multi-Capture button.



- Tap on the first page of your document to open it. Tap the Read button to start reading.
- When you are done reading, tap the Back button to return to your document. Tap Back again to return to Magnifier mode.



READING

Once you make a capture, the Capture button will change from a camera image to a play symbol. This is now the Read button.



- Tap Read or long press anywhere on the screen for 2 seconds to scroll and read aloud the text according to your reading preferences.



Note: When you press read, the Button Banner will collapse to provide a better view of your image. It can be re-opened by pressing the Open Banner Button or by doing an upward swipe on the lower section of the screen.

- To adjust the volume, use the Volume Down-Up buttons.
- To pause, tap Read again or long press anywhere on the screen.
- While paused, tap Back to exit reading view, and Back again to return to the camera view.



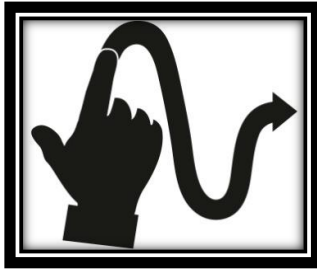
- To resume, tap Read again or long press.

When in magnifier mode, reading mode allows you to zoom in and out of your captured document.

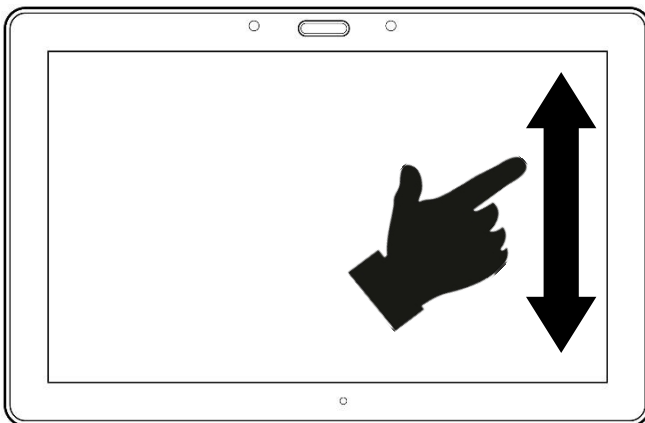
To zoom in a captured document:

- Use the **Zoom In-Out** buttons to adjust the zoom level. To increase character size, tap the **Zoom In** button (+). To decrease character size, tap the **Zoom Out** button (-). You can also tap and hold the Zoom In-Out buttons to progressively adjust the zoom level, and release once you reach your desired zoom level.
- In addition to the Zoom In-Out buttons, you can use the pinch and zoom gesture to adjust the zoom level.
- To instantly zoom to an area of interest, perform a single tap on the area you wish to view and the image will zoom at that location at your preferred zoom level.

- If you are in a zoomed level over 1X, you can move around your zoomed document by doing a **Pan Gesture** (slowly move your finger on the screen without lifting it).



- Pan to reach other parts of the enlarged image.
- To toggle between the different contrasts, swipe on the right edge of the touchscreen or access the Settings (see **Chapter 4: Choosing your contrast** for more details).



Note: Text can be presented in 3 different formats (Reading Modes): it can be changed in the settings to a single line in the Line mode, a column in the Column mode (default), or you can read text without losing its configuration in the Page mode. Two “greater than” signs will identify the end of a paragraph in the Line and Column modes (>>).

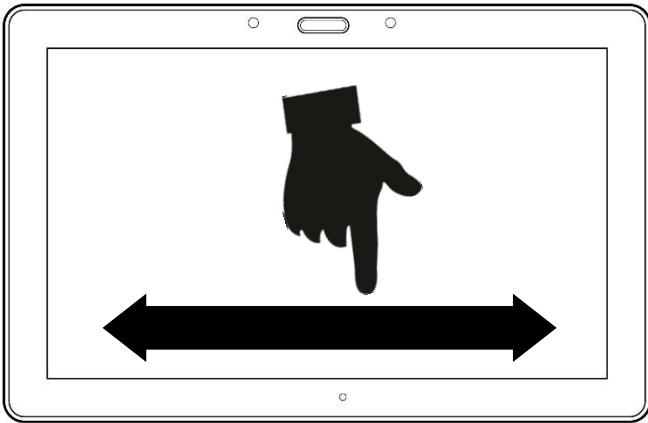
Prodigi will beep and announce “End of document” when you reach the end of your document; tap Read to start reading from the beginning again.

- To set a different Reading Mode, tap the Settings button and swipe up to select Reading Mode.



- Tap Reading Mode to toggle the value. Tap Back to exit the Settings.

- You can temporarily increase the speech rate while reading by swiping to the left (sliding and releasing your finger to the left) on the touchscreen, and decrease the speech rate by swiping to the right. Note that changing the speech rate will change the reading speed (text scrolling speed) accordingly.



Note: You can also increase or decrease the speech rate permanently from the Settings. Tap the Settings button, select Speech Rate, and select a value. Tap Back twice to exit Settings.

Note: You will be able to change the reading speed (text scrolling speed) by swiping left or right, or from the Settings even when speech is deactivated.

- To toggle between Speech On and Off, simply double tap on the screen while reading. Alternatively, tap the Settings button, select Speech, and select Documents only or Off.
- Prodigy has 2 different voices that can be used to read aloud text documents. To select a different voice, tap the Settings button, select Voice, and tap to toggle between the 2 reading voices.
- Tap Back to return to your document. Make sure that the language of the selected voice is the same as in the document you want to read.
- Tap Back to stop reading and return to camera view.

USING THE CAROUSEL MENU

Prodigi has 6 main applications – Calculator, Books, Distance camera (only available if distance camera option is purchased), Magnifier, Gallery, and Settings. They are presented one by one in the carousel menu:



To access the carousel menu from the Magnifier:

- Tap Back to close the Magnifier and access the carousel menu.
- Prodigi will announce “Main Carousel” followed by the currently selected application.
- The currently selected application is positioned in the center of the screen.
- Swipe left or right in the carousel menu to select an application.
- To launch a selected application, simply tap.

- To cancel and return to the carousel menu, tap Back.

Note: You can access the Carousel menu from anywhere in Prodigy by double tapping with two fingers anywhere on the screen.

DOWNLOADING BOOKS

Prodigy's Books application allows you to download eBooks using Bookshare, the world's largest online library of accessible books.

To download books:

- Select and tap on the Books icon in the carousel menu:



- The first time you open Books, you will be required to enter your Bookshare login information using the virtual keyboard. First, enter your User Name, and tap Next. Then, enter your password and tap

Done. Your login information will be saved in Prodigy's memory.

- To search for books, select Search By and tap. You can search by Title, Author, Category, and Content. Select your choice and tap.
- To search by title, author, or content, select your choice, enter your search criteria using the virtual keys on screen, and tap Done. Swipe up or down in the result list to select a book or category and tap to view book details.
- To search by category, select and tap Category, and swipe up or down in the list of categories to select one, and tap. Select a book and tap to view book details.
- To search for popular books, select and tap Popular books from the Books menu. A list of the most popular books will be displayed. Select a book and tap to view book details.
- To download a book you would like to read, tap the Save button while viewing

book details. The book will be saved in My Books submenu.

- To read a book you downloaded, select My Books submenu. Select a book from your list of downloaded books and tap to open it.
- Press Read to start reading it as you would for any other document.
- Press Read again to pause. You will then be able to swipe left or right to navigate between the book's pages.
- You can also navigate by chapter in your downloaded book using the Table of Contents button on the button banner:



- You will see a list of the downloaded book's chapters, swipe up or down in the list, select a chapter, and press Read to start reading from that point.
- Press Back to exit and return to your list of downloaded books. Press Back again to return to Books' menu.

USING THE CALCULATOR

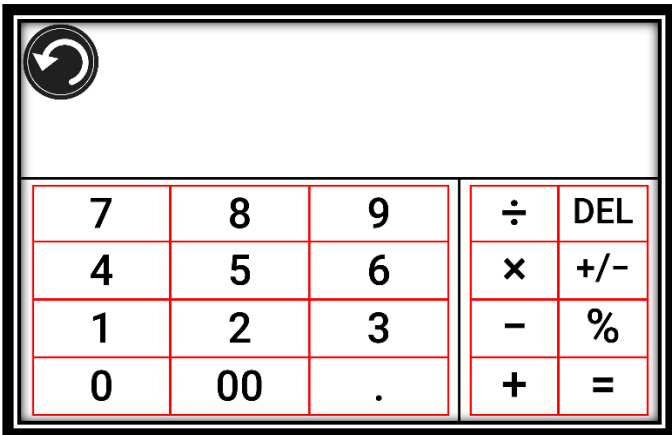
Prodigi allows you to perform calculations with the Calculator application.

To use the Calculator:

- Select and tap on the Calculator icon in the carousel menu:



- Tap on the numbers and signs. Your calculation will appear on the top section of the screen. Tap DEL to correct it if necessary, or equal to see the answer.



- Once you have your answer, you can tap CLR to clear the top section.

- Tap the Back button to return to the carousel menu.

VIEWING SAVED DOCUMENTS

The Gallery contains all the documents you have saved.

- Select and tap on the Gallery icon in the carousel menu:



- Swipe left or right in the Gallery to flip through your saved documents.
- The currently selected document is in the center of the screen. Prodigy will announce and indicate the first word contained in the currently selected document. If the document contains no words, Prodigy will tag it as an image. A notebook icon will indicate a multipage document:



- To open a selected document, simply tap.
- Tap somewhere on the document to see that section at your preferred zoom level.
- You can toggle between color, positive, negative, and Diamond Edge™ (if the image contains text) contrasts, and adjust the brightness in the same way as with the Magnifier (see section Magnifying for more information).
- Once you are in a zoomed level over 1X, you can move around your zoomed document by doing a Pan Gesture.
- Pan to reach other parts of the enlarged image.
- Tap or tap Back to return to the full image view.
- When in full image view, tap Back to close a document and return to the Gallery.

THE ACTION MENU

The Gallery features an “Action Menu” that includes many useful functions for your saved documents.

In the Action menu, you can:

- Create a new category
- Rename a document or category
- Delete a document, category, or the content of a category
- Move a document to a category
- Export the text from document to a text file in Android file system
- Move an image captured with the distance camera to the Gallery for Diamond Edge processing
- Delete, replace, insert, or append pages in a multipage document.

To access the Action menu, simply long press on a document or category icon in the Gallery. You will be directed to a menu listing available actions for your selected file.

To delete a document, a category, or the content of a category

- Long press on the document or category you want to delete.
- Tap Delete, Delete category or Delete category content.
- Tap Yes to confirm deletion.

To rename a document or category

- Long press on the document or category you wish to rename.
- Tap Rename or Rename category.
- Type in the new name of your document or category.
- Tap DONE (Enter key on keyboard).

To create a new Category

- Long press on any document.
- Tap Create new category.
- Type in the name of your new category.
- Tap DONE. Categories will be sorted alphabetically in Gallery.

To move a document to a category

- Long press on the document you want to move.
- Tap Move.
- Tap the category where you wish to move your image.

Export the text from a document to a text file in Android file system

- Long press on the document whose text you wish to export.
- Tap Export OCR text.
- The OCR (optical character recognition) text will be saved as a text file in the Root of your tablet.

Move an image captured with the distance camera to the Gallery

- In the Distance category, hold your finger on the image you wish to move.
- Tap Move to Gallery.
- The image will be treated to find text and display Diamond Edge if text was found.

The file will be renamed to first found word in document, if text is found.

- The file can be then moved into a Category if required.

To delete, replace, insert, or append a page in a multipage document

- Open the multipage document you wish to modify.
- To delete a page, long press on the page you wish to delete and tap Yes to confirm deletion.
- To replace a page, long press on the page you wish to replace. Tap replace, tap yes and capture a new page.
- To insert a page, long press on the page where you want to insert a new page. Tap insert and capture a new page.
- To append one or several pages, long press on any page in a multipage document and tap append. Capture your document. The pages will be added at the end of the multipage document.

USING THE DISTANCE CAMERA

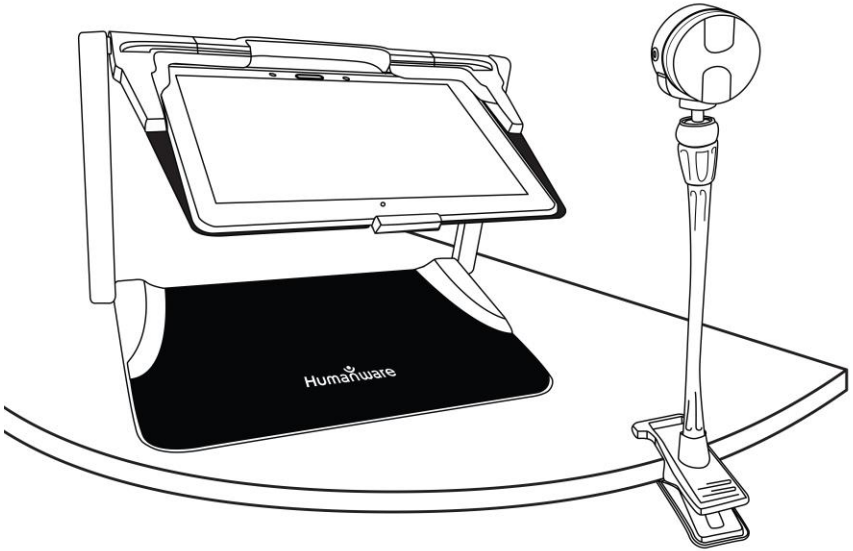
Prodigi™ Connect 12 features a distance camera that can be extremely useful when you need a better view of something at a distance, such as a presentation or the teacher's slides during a lecture. Your distance camera connects wirelessly, has a battery duration of 4 hours, and can be set up to 30 feet (10 meters) from Prodigi. The camera comes already paired with your tablet out of the box.

Note: The distance camera is only available if you bought the Distance Viewing Option with your Prodigi Connect.

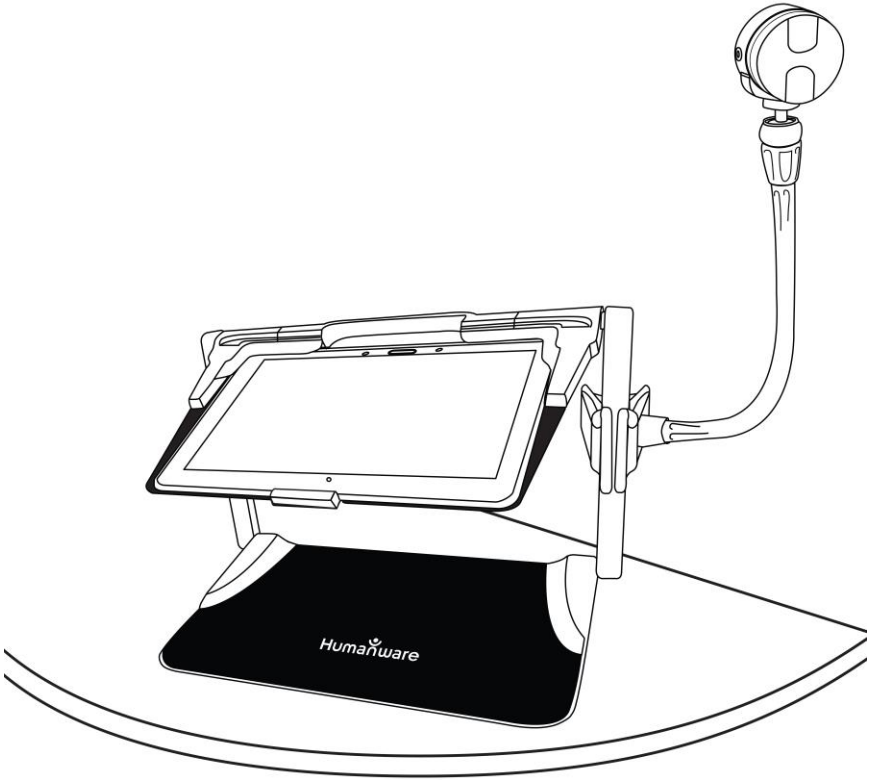
- To use the distance camera, first align your camera with the object you wish to view.
- Turn camera On.

IMPORTANT: Always attach the camera stick to a solid object before using your distance camera. If you simply place the camera stick upright on a flat surface, there is a high risk that the camera will tip over and break.

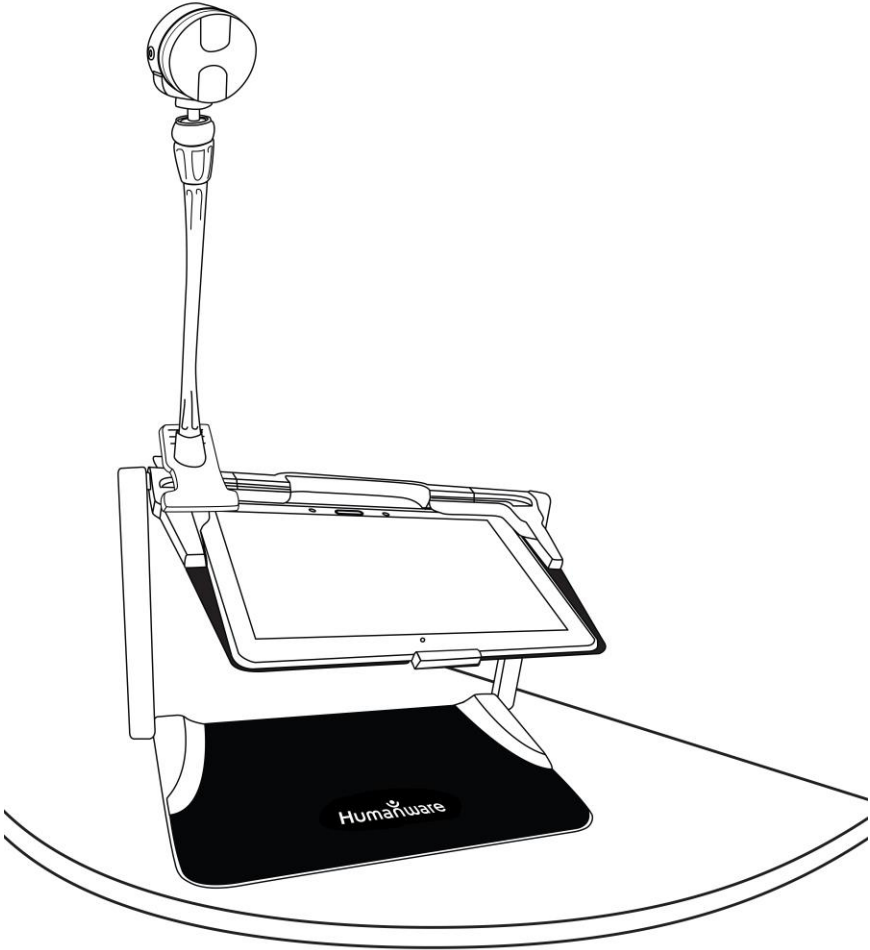
You can attach your camera to a desk.



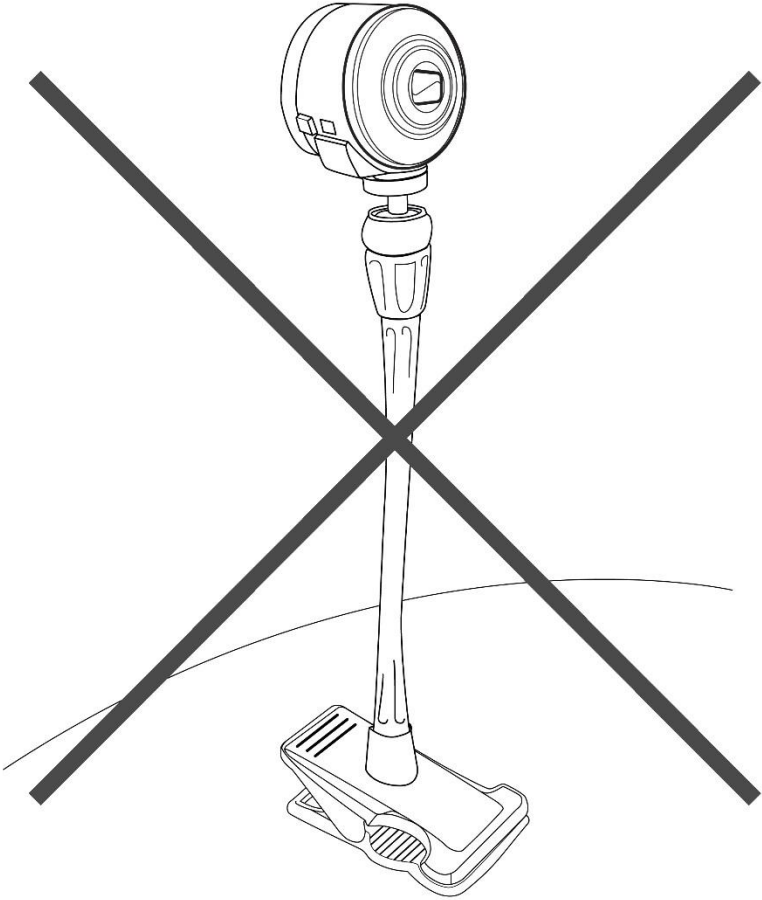
You can attach your camera to the side of the folding stand's frame.



You can attach your camera to the top of the folding stand's frame.



DO NOT use the distance camera unless it is attached to a solid object.



- Enter the Carousel menu by tapping the Back button in the magnifier mode.
- Select the Distance Camera icon, then tap.



- You are now in your camera's live view. To take a picture, Tap the Capture button. Alternatively, you can take a picture by holding down the Shutter button located next to the Zoom lever on the left side of your camera.
- You should hear a camera shutter sound and briefly see the picture you just took, then return to the camera's live view.
- You can zoom in or out by tapping or tapping and holding the Zoom In and Out buttons. Alternatively, you can use the Zoom lever located next to the capture button on the left side of your camera.
- Tap Back to return to the carousel menu.

VIEWING DISTANCE CAMERA IMAGES

Pictures taken with the Distance camera can be viewed in the Gallery similarly to the pictures taken with the Magnifier.

To view pictures taken with the distance camera:

- Select and tap on the Gallery icon in the carousel menu.



- Swipe right until you have selected the Distance camera picture icon (a camera in front of a folder), then tap once.



- The currently selected document is in the center of the screen.
- Swipe left or right to scroll through the available pictures.
- To open a selected document, simply tap.

READING WITH THE DISTANCE CAMERA

To read a picture taken with the distance camera, you will need to transfer the picture from the Distance category to the root of the Gallery.

- In the Distance category of your Gallery (a folder with a camera), hold your finger on the image you wish to move.
- Tap Move to Gallery.
- Your image should now be in the root of your Gallery where it can be read just like any other document.

REMOVING DISTANCE CAMERA FROM STICK

Your Distance camera comes already attached to the camera stick. If you wish to remove it from the stick, do the following:

- Make sure your camera is turned off.
- With one hand, firmly hold the camera.

- With your other hand, locate the thumbscrew located underneath the camera, and begin loosening it until the camera is detached from the stick.

Warning: The camera is very fragile, so make sure you are holding it properly before removing it from the stick.

VIEWING TEXT FILES IN PRODIGI

Prodigi Connect allows you to paste text files into the gallery and then open them using the Prodigi interface.

To paste a text file in Prodigi:

- Copy to your tablet's clipboard the text you wish to add to Prodigi. This can be done outside Prodigi in Android applications that allow you to copy text (e.g. your Internet browser, Dropbox or your emails.).
- Tap Back to open the Carousel menu.

- Select and tap on the Gallery icon in the carousel menu.



- Swipe until the Text icon is selected, then Tap to open the text section of the Gallery.



- Swipe until the Paste icon is selected, then Tap to paste the text you copied earlier.

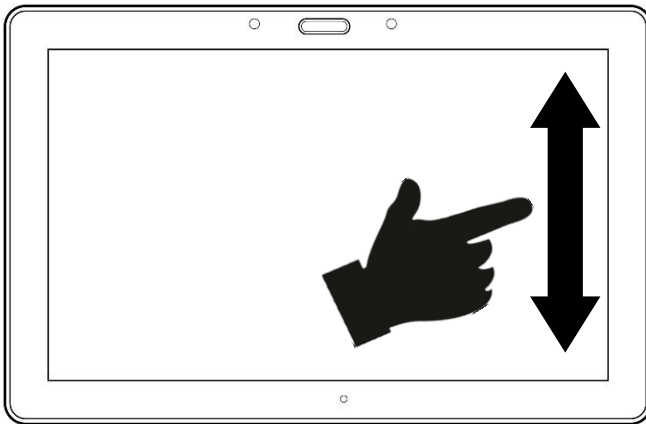


- Your text will appear in Diamond Edge™ in column reading mode (original layout and images are not available).
- Tap back to return to the Text section of the Gallery.
- The text you pasted will now be saved in the Text section of the Gallery and will be named with the first word of your text.

CHAPTER 4: CHOOSING YOUR CONTRAST

Prodigi allows you to view documents, pictures and objects in 3 types of contrast: **color**, **positive** or **negative**. For documents containing text, a 4th type of contrast can be used: **Diamond Edge™**. Positive, negative, and Diamond Edge™ contrasts are enhanced; they are meant to enhance the original color of a document or object to facilitate your visual experience.

Toggle between the different contrasts by swiping on the right edge of the touchscreen while magnifying or viewing an image / document:



Alternatively, tap the Settings button while magnifying, viewing an image or reading, select Contrast, and swipe to choose a contrast. Tap Back twice to return to your document or object.

Color contrast is useful if you want to view documents, objects, and photographs in their original color.

Positive contrast shows text and images in 2 colors according to your selected color combination, the default combination being Black on White. This is a practical way to view text in the best color combination for your vision.

Negative contrast shows text and images in reversed contrast as compared to your selected color combination. For example, if your combination is Black on White, negative contrast will show text and images in White on Black. This is useful if you wish to reverse the contrast of a text that contains different contrasts.

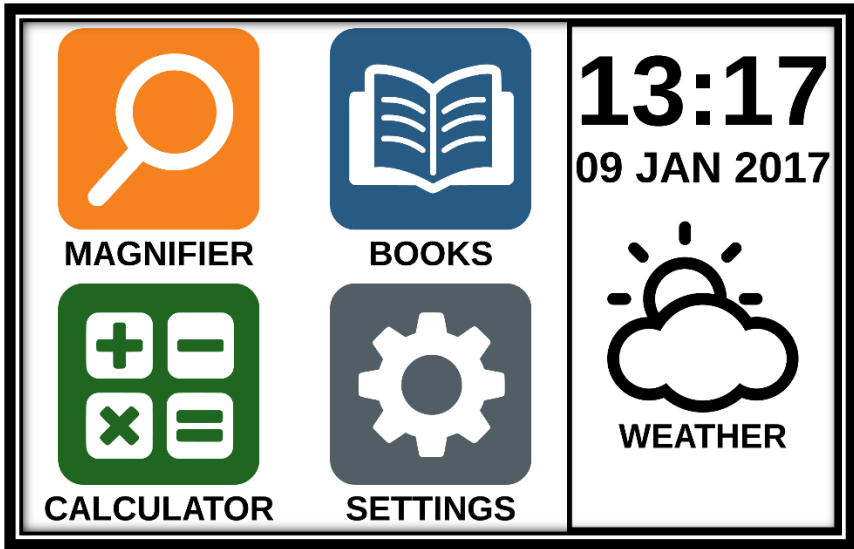
Diamond Edge™ contrast combines the best of both worlds; it shows Diamond Edge Text™ in your selected color combination and images in their original color. This allows you to magnify text indefinitely without compromising its quality in the best color combination for your vision, while viewing images in their original color on the same page.

CHAPTER 5: SIMPLE MODE

The simple mode allows you to access Prodigy's main applications from the same screen. By default, Prodigy is set to standard mode.

To activate simple mode:

- From the carousel menu, swipe and select the Settings icon and tap. Tap User Interface, select and tap Simple, and tap Back twice to access simple mode menu:



- The Magnifier, Books, Calculator, and Settings are now accessible from the same screen. You will also be able to see the time, date, and weather.
- To know the weather, your Wi-Fi connection and location must be previously configured. To do so, tap on the weather icon. Enter your information and tap Done. Then, tap Back. You will be able to see the local weather from the main menu.
- Tap and hold your finger down on each app to hear their name and to know the time, date, and weather.

CHAPTER 6: CHANGING YOUR SETTINGS

Prodigy's settings menu is contextual; different settings will be displayed depending on what you are doing or where you are in the system (ex: magnifier, document, applications, etc.).

To access the settings, tap the Settings button. Swipe down to see the battery level, and swipe up to select an item. The currently selected item is announced and highlighted by a frame. Scroll up or down to move the frame and select an item. The items will be read one at a time (by default). Tap to toggle the value or swipe when in a list of values. Tap Back (top left corner) to return to what you were doing.

Note: Your navigation mode will be different if your Speech setting is set to "Off" or "Documents only". There will no longer be a frame, and each menu item will have a shadow below it. In this navigation mode, you can simply touch an item to select it instead of highlighting it with the frame.

Here is a list of Prodigy's contextual settings:

(The values marked with a star (*) are default settings.)

- **Brightness:** 0 to 100% (50%*)
- **Contrast:** Diamond Edge (if captured image contains text), Color*, Positive, Negative
- **Colors** (Select from 20 color pairs): Black on white*, White on black, Black on gray, Gray on black, Black on yellow, Yellow on black, Black on orange, Orange on black, Black on cyan, Cyan on black, Black on purple, Purple on black, Black on green, Green on black, Blue on yellow, Yellow on blue, White on blue, Blue on white, Beige on black, Black on beige
- **Mode** (Standard mode only): Live*, Multi-Capture
- **Autofocus** (Live mode only): Locked, Unlocked*
- **Angle Correction:** Checked*, Unchecked
- **Speech:** On*, Documents only, Off
- **Voice:** Voice 1*, Voice 2

- **Speech Rate:** Very slow, Slow, Normal*, Fast, Very fast
- **Reading Mode:** Page, Column*, Line
- **Reading Speed:** Very slow, Slow, Normal*, Fast, Very fast
- **Diamond Edge:** Always*, On Request
- **Font Type:** Regular, Bold*
- **Preferred Zoom:** 2x to 35x (4x*)
- **Font Size:** Minimum, Small, Medium, Standard*, Large, Very large, Extra large, Maximum
- **Highlight** (Column and Line modes only. Highlight on spoken words): Display*, Hide
- **Delete Gallery content** (in Gallery): Permanently delete all files in Gallery. Press and hold the Back button in the Gallery to reach this setting.
- **Log out** (in Books app): Log out of Bookshare. Press and hold the Back button in Books to reach this setting.
- **Delete all books** (in Books app): Permanently delete all downloaded books in Books. Press and hold the Back button in Books to reach this setting.

- **Gestures** (while magnifying, viewing an image, or reading a document, allows you to enable/disable gestures. They are checked by default):
 - **Swipe on left edge / Mode:** Toggle between Live and Multi-Capture modes.
 - **Swipe on right edge / Contrast:** Toggle between Color, Positive, Negative, and Diamond Edge contrasts (The last selection will be saved in Prodigy's memory).
 - **Pinch and zoom:** Adjust the zoom level by decreasing or increasing the distance between 2 fingers.
 - **Double tap:** Access the carousel menu or toggle between Speech On and Off while reading by tapping twice quickly with 1 finger.
 - **Tap / Zoom:** Press your finger down quickly on the touchscreen (tap) to zoom at your preferred zoom level.

You can access other general settings from the carousel menu by tapping the Settings icon:



You will see 5 main menus and 1 item: User Interface, Audio, System, Applications, Exit to Android, and About. Scroll up or down in the Settings to select a menu or item. Prodigy will announce “submenu” if a selected menu contains submenus and display an arrow on the right edge of the screen. To open a menu, submenu, or an item, simply select it and tap. Once you have reached the setting you want to modify, tap or swipe up in a list of values. Tap Back to return to a previous screen. Tap and hold the back button to exit the Settings from anywhere in the Settings menu.

Here is a list of Prodigy's general settings:

(The values marked with a star (*) are default settings.)

User interface:

- **Interface:** Standard*, Simple
- **System Language:** Language 1*, Language 2, Other (will connect to the Internet to find downloadable language packs)
- **Colors** (See color pairs above in contextual settings)
- **Locator color:** Red*, Orange, Yellow, Purple, Cyan, Green, Blue
- **Screen Brightness** (Change the screen's brightness level): 1 to 100% (60%*)
- **Button Banner:** Auto*, Hidden, Always
- **Tablet Vibrations:** On*, Off

Audio:

- **Speech:** On*, Documents only, Off
- **Speech Rate:** Very slow, Slow, Normal*, Fast, Very fast
- **Sounds:** On*, Off
- **Tablet Volume:** 0 to 15 (9*)
- **OCR Sound:** On, Off*

System:

- **Wi-Fi Setup**
- **Software Update** (see chapter 10)
- **Tablet Auto Shutoff:** 3 min*, 5 min, 10 min
- **Restore to Factory Defaults**

Applications:

- **Calculator:** Checked*, Unchecked
- **Books:** Checked*, Unchecked

Exit to Android:

Exits Prodigy. You can return to Prodigy by pressing the Home button and tapping the Prodigy icon twice.

About:

- **Software** (Version)
- **Voices** (Version)
- **OCR** (Version)
- **Books** (Version)
- **Calculator** (Version)
- **Prodigy Updater** (Version)
- **Serial Number**
- **Model**
- **Android** (Version)
- **Weather** (powered by)

CHAPTER 7: ACCESSING ANDROID

The Prodigy Connect Tablet allows you to access Android applications. Please note that HumanWare provides limited support for Android and Android applications.

To access Android from anywhere in Prodigy, simply press the Home button, and you will be directed to the Android desktop icon choices. Alternatively, you can tap the History button and then tap on any previously opened application to leave Prodigy and access this application. Exit to Android is also accessible from the Settings in the carousel menu.

Note: Pressing Always would remove access to Android from the home button (not recommended).

CHAPTER 8: RECHARGING YOUR TABLET

Maximizing operating efficiency:

- In a working situation where you need the Tablet intermittently, you can enter Standby mode when you are not using the Tablet by pressing Power. The screen will power off.
- Wake Tablet by pressing the Power button.
- If you will not be using the Tablet for the next few days, it is recommended that you power it off by pressing and holding the Power button and selecting Power off.

Recharging the battery:

Tap the Settings button to enter the Settings menu and to display the Tablet's battery charge level. Swiping upwards in the Settings menu from the first item will announce the charge level (if Speech is set to On in the Settings).

IMPORTANT: The tablet becomes warm during recharging. Do not recharge the tablet near a heat source.

IMPORTANT: Do not close your folding stand while recharging. Doing so could damage your cable or the tablet.

To recharge the battery:

- Connect the USB Recharge Cable to the Tablet Power Supply. Then, carefully connect the USB Recharge Cable to the Tablet and plug the Power Supply to an outlet.
- A full charge requires 4 hours.

To recharge the battery with a computer:

- Plug the USB recharge cable to a computer USB port.

Note: Please note that recharging the battery via PC will take longer than by plugging it to an outlet.

Battery safety precautions:

- Do not disassemble or modify the battery.

- There is a risk of overheating, fire or explosion if the battery is put in a fire, heated, subjected to impact, put in contact with water, or if its terminals are shorted.

CHAPTER 9: RECHARGING YOUR DISTANCE CAMERA

Your camera has a battery life of 4 hours and will eventually need to be recharged.

Note: Help of a sighted person may be required to charge your camera.

To charge your camera:

- Carefully plug in the micro-USB connector into the slot located under the cap.
- Carefully connect the USB connector using the Tablet's charging block.
- The charge indicator will be orange when your camera is charging and turn green once the battery is fully charged.

CHAPTER 10: SOFTWARE UPDATE

SETTING UP YOUR WI-FI

Before initiating a software update, the WI-FI network needs to be configured.

- Tap the Settings button to access the Settings, and select All Settings. Tap to open. Select General and tap. Select WI-FI Setup and tap.
- Slide the switch located on the top edge of the screen to the ON position.
- Tap on the network you wish to configure.
- To enter your password, tap in the text field. A keyboard will appear on the screen. Enter the password and tap on Done. Then, tap on Connect.
- Tap the small Back button at the top of your tablet to return to General in Prodigy's Settings.

AUTOMATIC UPDATE

When WI-FI is configured, Prodigy will automatically check every week for updates.

If there is an update available, Prodigy will notify you and ask you if you wish to update your tablet. When this occurs:

- Tap Install to install the latest update.
- Your tablet will ask for your permission to install the update. When prompted, tap the install button to proceed.
- A new pop-up will appear telling you that the update was successfully installed. Tap Open to go back to Prodigy.

MANUAL UPDATE

At times, you may want to manually update your Prodigy tablet.

- Access the settings from the main menu then select System.
- To initiate a software update, select Software Update and tap.

- Prodigy will verify if your software is up to date or if an update is available.
- If an update is available and you wish to install it, tap Install. If you wish to cancel, tap Cancel.
- If you chose to install the update, Prodigy will download the update and show the download progress.
- Your tablet will ask for your permission to install the update. When prompted, tap the install button to proceed.
- A new window will appear indicating that the update was successfully installed. Tap Open to launch Prodigy.

CHAPTER 11: TROUBLESHOOTING

If the screen is blank:

- Zoom out of the image for minimum magnification.
- The Tablet could be powered off or in Standby Mode. Tap Power to power it on or to exit Standby Mode.

If colors are difficult to detect:

- Check if you have sufficient ambient light.
- Choose a different contrast or color combination in the Settings.
- Adjust the brightness level in the Settings.

If there is a lot of glare:

- Tilt object in a different direction to reduce glare.
- Reduce the brightness level in the Settings.
- Reduce external lighting effects.
- If your captured image is too bright or uneven, turn off the light on the button banner and capture a new image.

If the image/text is out of focus or blurry:

- Use the Zoom In-Out buttons to zoom in and then out of the image so as to trigger the camera's focus. If needed, capture a new image of your document.
- Make sure you hold the camera still while capturing an image.
- Make sure your Tablet is powered off, and wipe the LED lights and camera

surface on the back side with a cleaning tissue.

If the audio reading does not make sense:

- Make sure the voice setting is the same as your document's language. Change it in the Settings if necessary.

If the Tablet is not responding:

- Make sure the battery is not empty. Recharge it if necessary.

Other problems:

- Restore factory defaults in the Settings.
- Contact your dealer or technical support.

[End of document VER-05-2017-02-24]

Customer support

For customer support, please contact the HumanWare office nearest you or visit our Website at:
www.humanware.com/prodigi_support

Global: support@humanware.com

North America: 1 (800) 722-3393
us.support@humanware.com

Europe: (0044) 1933 415 800
eu.support@humanware.com

Australia / Asia: (02) 9686 2600
au.sales@humanware.com